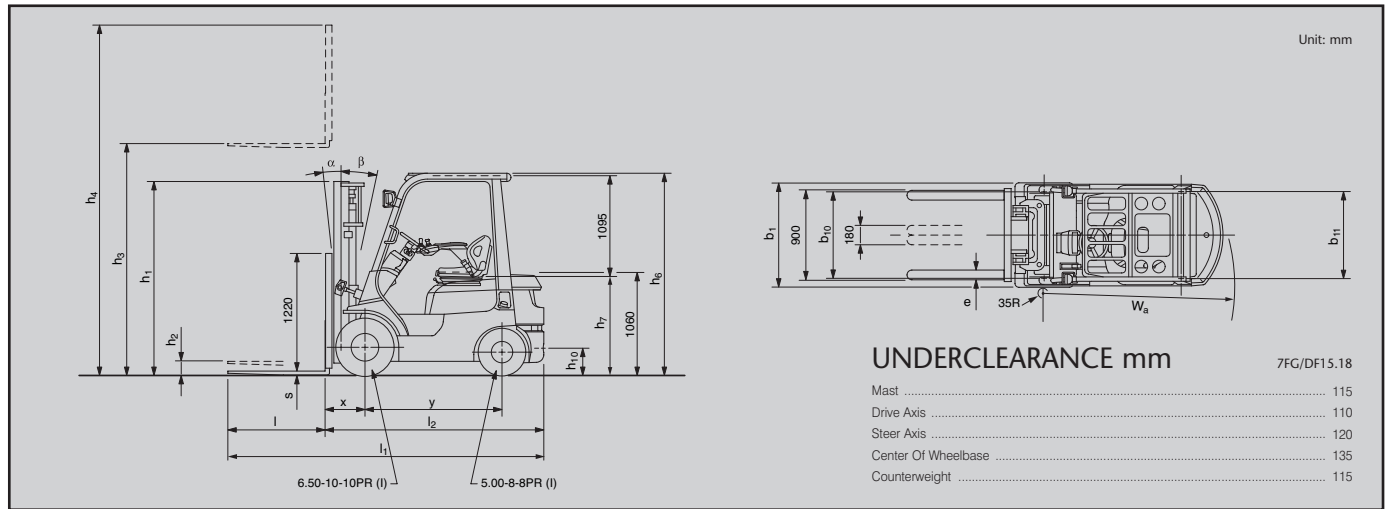


7FG/DF15, 7FG/DF18

DIMENSIONAL DRAWINGS



SPECIAL TREAD

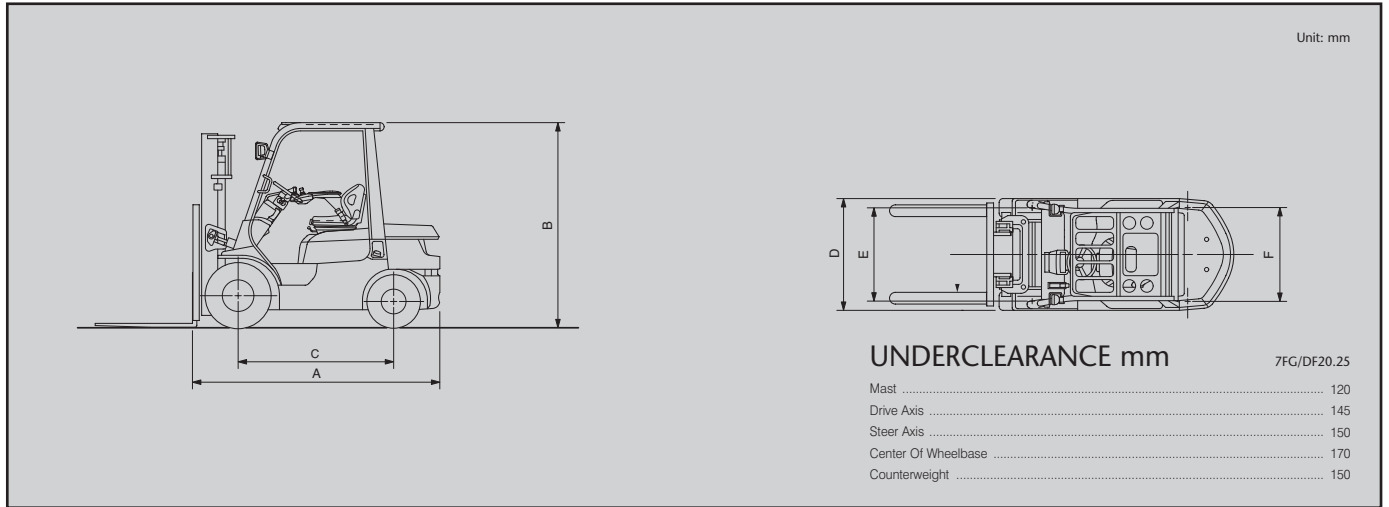
Model	7FGF/7FDF15.18	
Front Tyre Single/Dual	Single	Dual
Front Tyre Size	6.50-10-10PR (I)	6.00-9-10PR (I)
Overall Width	mm 1070	1430
Tread, Front	mm 890	1085

MAST SPECIFICATION & RATED CAPACITIES

Model	Mast Type	Maximum Fork Height h_3	Overall Height			Free Lift		Single Tyre			Dual Tyre	
			Lowered h_1	Extended Without Load Backrest h_4	Without Load Backrest h_2	With Standard Load Backrest h_2	Tilt Range		Load Capacity at 500 mm LC	Tilt Range		Load Capacity at 500 mm LC
							FWD	BWD		FWD	BWD	
mm	mm	mm	mm	mm	mm	deg	deg	kg	deg	deg	kg	
7FG/DF15	V	3000	1995	3605	150	150	6	10	1500	7	9	1500
		3300	2145	3905	150	150	6	10	1500	7	9	1500
		3500	2245	4105	150	150	6	10	1500	7	9	1500
		3700	2405	4305	150	150	6	10	1500	7	9	1500
		4000	2595	4605	150	150	6	10	1500	7	9	1500
		4500	2845	5105	150	150	6	6	1450	7	9	1450
	FV	5000	3095	5605	150	150	6	6	1300	7	5	1350
		3000	1995	3560	1410 [1150]	780	6	10 (6)	1500	7	9	1500
		3300	2145	3860	1560 [1300]	930	6	10 (6)	1500	7	9	1500
		3500	2245	4060	1660 [1400]	1030	6	10 (6)	1500	7	9	1500
		3700	2405	4260	1820 [1560]	1190	6	10 (6)	1500	7	9	1500
		4000	2595	4560	2010 [1750]	1380	6	10 (6)	1500	7	9	1500
	FSV	3700	1795	4235	1260 [1190]	580	6	6	1400	7	5	1400
		4000	1895	4535	1360 [1290]	680	6	6	1400	7	5	1400
		4300	1995	4835	1460 [1390]	780	6	6	1400	7	5	1400
		4700	2145	5235	1610 [1540]	930	6	6	1350	7	5	1350
		5000	2245	5535	1710 [1640]	1030	6	6	1250	7	5	1300
		5500	2405	6035	1870 [1800]	1190	6	6	950	7	5	1250
7FG/DF18	V	6000	2595	6535	2060 [1990]	1380	6	6	700	7	5	1100
		6500	2845	6785	2310	1630	-	-	-	7	5	900
		3000	1995	3560	1410 [1150]	780	6	10 (6)	1750	7	9	1750
		3300	2145	3860	1560 [1300]	930	6	10 (6)	1750	7	9	1750
		3500	2245	4060	1660 [1400]	1030	6	10 (6)	1750	7	9	1750
		3700	2405	4260	1820 [1560]	1190	6	10 (6)	1750	7	9	1750
	FV	4000	2595	4560	2010 [1750]	1380	6	10 (6)	1650	7	9	1650
		3000	1995	3560	1410 [1150]	780	6	10 (6)	1750	7	9	1750
		3300	2145	3860	1560 [1300]	930	6	10 (6)	1750	7	9	1750
		3500	2245	4060	1660 [1400]	1030	6	10 (6)	1750	7	9	1750
		3700	2405	4260	1820 [1560]	1190	6	10 (6)	1750	7	9	1750
		4000	2595	4560	2010 [1750]	1380	6	10 (6)	1650	7	9	1650
	FSV	3700	1795	4235	1260 [1190]	580	6	6	1600	7	5	1600
		4000	1895	4535	1360 [1290]	680	6	6	1600	7	5	1600
		4300	1995	4835	1460 [1390]	780	6	6	1550	7	5	1550
		4700	2145	5235	1610 [1540]	930	6	6	1500	7	5	1500
		5000	2245	5535	1710 [1640]	1030	6	6	1450	7	5	1450
		5500	2405	6035	1870 [1800]	1190	6	6	1100	7	5	1400
FSV	6000	2595	6535	2060 [1990]	1380	6	6	850	7	5	1200	
	6500	2845	6785	2310	1630	-	-	-	7	5	850	

Note: Height of standard load backrest is 1220 mm; h_4 with standard load backrest is + 615 mm (V), + 660 mm (FV), + 685 mm (FSV)
 Data between "[]" is for when 'A4 piping' is selected
 Data between "()" is for when 'Steel cab' or 'Cab without doors' is selected

DIMENSIONAL DRAWINGS



SPECIAL TREAD

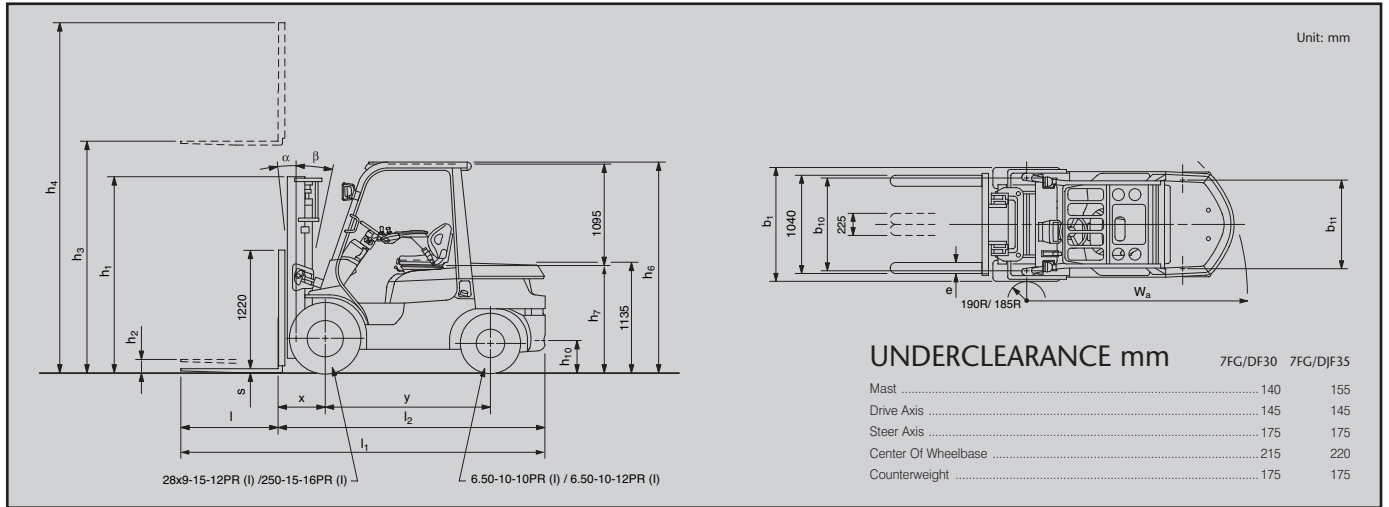
Model	7FGF/7FDF20,25	
Front Tyre Single/Dual	Single	Dual
Front Tyre Size	7.00-12-12PR (I)	7.00-12-12PR (I)
Overall Width	mm 1150	1610
Tread, Front	mm 960	1190

MAST SPECIFICATION & RATED CAPACITIES

Model	Mast Type	Maximum Fork Height h ₃	Overall Height		Free Lift		Single Tyre		Dual Tyre		Load Capacity at 500 mm LC kg	
			Lowered h ₁	Extended Without Load Backrest h ₄	Without Load Backrest h ₂	With Standard Load Backrest h ₂	Tilt Range		FWD	BWD		
							deg	deg				
7FG/DF20	V	3000	1995	3650	150	150	6	10	2000	6	10	2000
		3300	2145	3950	150	150	6	10	2000	6	10	2000
		3500	2245	4150	150	150	6	10	2000	6	10	2000
		3700	2405	4350	150	150	6	10	2000	6	10	2000
		4000	2595	4650	150	150	6	10	2000	6	10	2000
		4500	2845	5150	150	150	6	6	1950	6	10	1950
	FV	5000	3095	5650	150	150	6	6	1850	6	6	1900
		3000	1995	3590	1400 [1180]	775	6	10	2000	6	10	2000
		3300	2145	3890	1550 [1330]	925	6	10	2000	6	10	2000
		3500	2245	4090	1650 [1430]	1025	6	10	2000	6	10	2000
		3700	2405	4290	1810 [1590]	1185	6	10	2000	6	10	2000
		4000	2595	4590	2000 [1780]	1375	6	10	2000	6	10	2000
	FSV	3700	1795	4250	1225 [1190]	575	6	6	2000	6	6	2000
		4000	1895	4550	1325 [1290]	675	6	6	1950	6	6	1950
		4300	1995	4850	1425 [1390]	775	6	6	1900	6	6	1950
		4700	2145	5250	1575 [1540]	925	6	6	1850	6	6	1900
		5000	2245	5550	1675 [1640]	1025	6	6	1450	6	6	1850
		5500	2405	6050	1835 [1800]	1185	6	6	1200	6	6	1800
7FG/DF25	V	6000	2595	6550	2025 [1990]	1375	6	6	850	6	6	1600
		6500	2845	7050	2275 [2240]	1625	-	-	-	6	6	1550
		3000	1995	3590	1400 [1180]	775	6	10	2500	6	10	2500
		3300	2145	3890	1550 [1330]	925	6	10	2500	6	10	2500
		3500	2245	4090	1650 [1430]	1025	6	10	2500	6	10	2500
		3700	2405	4290	1810 [1590]	1185	6	10	2500	6	10	2500
	FV	4000	2595	4590	2000 [1780]	1375	6	10	2500	6	10	2500
		3000	1995	3590	1400 [1180]	775	6	10	2500	6	10	2500
		3300	2145	3890	1550 [1330]	925	6	10	2500	6	10	2500
		3500	2245	4090	1650 [1430]	1025	6	10	2500	6	10	2500
		3700	2405	4290	1810 [1590]	1185	6	10	2500	6	10	2500
		4000	2595	4590	2000 [1780]	1375	6	10	2500	6	10	2500
	FSV	3700	1795	4250	1225 [1190]	575	6	6	2500	6	6	2500
		4000	1895	4550	1325 [1290]	675	6	6	2500	6	6	2500
		4300	1995	4850	1425 [1390]	775	6	6	2300	6	6	2500
		4700	2145	5250	1575 [1540]	925	6	6	2000	6	6	2450
		5000	2245	5550	1675 [1640]	1025	6	6	1500	6	6	2400
		5500	2405	6050	1835 [1800]	1185	6	6	1250	6	6	2050
FSV	6000	2595	6550	2025 [1990]	1375	6	6	900	6	6	1700	
	6500	2845	7050	2275 [2240]	1625	-	-	-	6	6	1550	

Note: Height of standard load backrest is 1220 mm; h₂ with standard load backrest is + 570 mm (V), + 630 mm (FV), + 670 mm (FSV)
Data between "[]" is for when 'A4 piping' is selected

DIMENSIONAL DRAWINGS



SPECIAL TREAD

Model	7FG/7DF30		7FGJF/7DJF35	
Front Tyre Single/Dual	Dual	Dual	Dual	Dual
Front Tyre Size	28x9-15-12PR (I)	28x8-15-12PR (I)	250-15-16PR (I)	28x8-15-12PR (I)
Overall Width	mm 1240	mm 1675	mm 1290	mm 1715
Tread, Front	mm 1010	mm 1240	mm 1060	mm 1290

MAST SPECIFICATION & RATED CAPACITIES

Model	Mast Type	Maximum Fork Height h_3	Overall Height			Free Lift		Single Tyre			Dual Tyre		
			Lowered h_1	Extended Without Load Backrest h_4	Without Load Backrest h_2	With Standard Load Backrest h_2	Tilt Range		Load Capacity at 500 mm LC	Tilt Range		Load Capacity at 500 mm LC	
							FWD	BWD		FWD	BWD		
mm	mm	mm	mm	mm	mm	deg	deg	kg	deg	deg	kg		
7FG/DF30	V	3000	2020	3710	135	135	6	10	3000	6	10	3000	
		3300	2170	4010	135	135	6	10	3000	6	10	3000	
		3500	2270	4210	135	135	6	10	3000	6	10	3000	
		3700	2430	4410	135	135	6	10	3000	6	10	3000	
		4000	2620	4710	135	135	6	10	3000	6	10	3000	
		4500	2870	5210	135	135	6	6	3000	6	10	3000	
	5000	3120	5710	135	135	6	6	2600	6	6	3000		
	FV	3000	2020	3605	1400 [1130]	800	6	10	3000	6	10	3000	
		3300	2170	3905	1550 [1280]	950	6	10	3000	6	10	3000	
		3500	2270	4105	1650 [1380]	1050	6	10	3000	6	10	3000	
		3700	2430	4305	1810 [1540]	1210	6	10	3000	6	10	3000	
		4000	2620	4605	2000 [1730]	1400	6	10	3000	6	10	3000	
	FSV	3700	1920	4305	1305 [1100]	700	6	6	3000	6	6	3000	
		4000	2020	4605	1405 [1200]	800	6	6	3000	6	6	3000	
		4300	2170	4905	1555 [1350]	950	6	6	3000	6	6	3000	
		4700	2270	5305	1655 [1450]	1050	6	6	3000	6	6	3000	
		5000	2430	5605	1815 [1610]	1210	6	6	2600	6	6	2950	
		5500	2620	6105	2005 [1800]	1400	6	6	1900	6	6	2650	
		6000	2870	6605	2255 [2050]	1650	6	6	1500	6	6	2050	
		6500	3120	7105	2505 [2300]	1900	-	-	-	6	6	1600	
		7000	3370	7605	2755 [2550]	2150	-	-	-	6	6	1200	
7FG/DJF35	V	3000	2125	3865	135	135	6	10	3500	6	10	3500	
		3300	2305	4165	135	135	6	10	3500	6	10	3500	
		3500	2405	4365	135	135	6	10	3500	6	10	3500	
		3700	2505	4565	135	135	6	10	3500	6	10	3500	
		4000	2755	4865	135	135	6	10	3500	6	10	3500	
		4500	3005	5365	135	135	6	6	3500	6	10	3500	
	5000	3255	5865	135	135	6	6	3300	6	6	3400		
	FV	3000	2125	3730	1395 [1110]	905	6	10	3500	6	10	3500	
		3300	2305	4030	1575 [1290]	1085	6	10	3500	6	10	3500	
		3500	2405	4230	1675 [1390]	1185	6	10	3500	6	10	3500	
		3700	2505	4430	1775 [1490]	1285	6	10	3500	6	10	3500	
		4000	2755	4730	2025 [1740]	1535	6	10	3500	6	10	3500	
	FSV	3700	2035	4430	1305	815	6	6	3500	6	6	3500	
		4000	2185	4730	1455	965	6	6	3500	6	6	3500	
		4300	2235	5030	1505	1015	6	6	3500	6	6	3500	
		4700	2445	5430	1715	1225	6	6	3400	6	6	3400	
		5000	2635	5730	1905	1415	6	6	3300	6	6	3300	
		5500	2885	6230	2155	1665	6	6	2700	6	6	3200	
		6000	3135	6730	2405	1915	6	6	2000	6	6	2400	
		6500	3385	7230	2655	2165	-	-	-	6	6	1650	
		7000	3635	7730	2905	2415	-	-	-	6	6	900	

Note: Height of standard load backrest is 1220 mm; h_4 with standard load backrest is + 510/ 355 mm (7FG/DF30/7FG/DJF35 V), + 615/490 mm (7FG/DF30/7FG/DJF35 FV and FSV).
Data between "[]" is for when 'A4 piping' is selected

4,000 - 5,000 kg, at 600 mm LCP

MAIN VEHICLE SPECIFICATIONS

Characteristics	1.1	Manufacturer			TOYOTA	TOYOTA	TOYOTA	TOYOTA	TOYOTA	TOYOTA
	1.2	Model			02-7FG40	42-7FD40	02-7FG45	42-7FD45	02-7FGA50	42-7FDA50
	1.3	Power			gasoline	diesel	gasoline	diesel	gasoline	diesel
	1.4	Operator Type			rider seated	rider seated	rider seated	rider seated	rider seated	rider seated
	1.5	Load capacity/rated load	Q	kg	4500 [4000]	4500 [4000]	5000 [4500]	5000 [4500]	5000	5000
	1.6	Load centre	c	mm	500 [600]	500 [600]	500 [600]	500 [600]	600	600
	1.8	Load distance, centre of drive axle to fork	x	mm	555	555	575	575	570	570
	1.9	Wheelbase	y	mm	2000	2000	2000	2000	2000	2000
	Weight	2.1	Truck weight ¹⁾		kg	6220	6350	6610	6770	7230
2.2		Axle loadings, laden front/rear		kg	9570/1150 ²⁾	9600/1250 ¹⁾	10480/1130 ³⁾	10540/1230 ³⁾	10970/1260	11040/1350
2.3		Axle loadings, unladen front/rear		kg	2680/3540	2710/3640	2740/3870	2800/3970	3050/4180	3110/4280
Tyres, chassis	3.1	Tyres - pneumatic (P), pneumatic shaped cushion (SE), solid rubber (R)			P	P	P	P	P	P
	3.2	Tyre size - front			300-15-18PR(I)	300-15-18PR(I)	300-15-18PR(I)	300-15-18PR(I)	300-15-18PR(I)	300-15-18PR(I)
	3.3	Tyre size - rear			7.00-12-12PR(I)	7.00-12-12PR(I)	7.00-12-12PR(I)	7.00-12-12PR(I)	7.00-12-14PR(I)	7.00-12-14PR(I)
	3.5	Wheels - number front/rear (x = driven wheels)			2x/2	2x/2	2x/2	2x/2	2x/2	2x/2
	3.6	Tread - front	b ₁₀	mm	1150	1150	1150	1150	1150	1150
	3.7	Tread - rear	b ₁₁	mm	1090	1090	1090	1090	1150	1150
	Dimensions	4.1	Tilt of mast/fork carriage forward/backward	α/β	deg	6/12	6/12	6/12	6/12	6/12
4.2		Height, mast lowered	h ₁	mm	2110	2110	2200	2200	2450	2450
4.3		Free lift	h ₂	mm	115	115	115	115	120	120
4.4		Lift	h ₃	mm	3000	3000	3000	3000	3000	3000
4.5		Height, mast extended	h ₄	mm	4220	4220	4220	4220	4370	4370
4.7		Height of overhead guard	h ₆	mm	2285	2285	2285	2285	2285	2285
4.8		Seat height	h ₇	mm	1205	1205	1205	1205	1205	1205
4.12		Coupling height	h ₁₀	mm	370	370	370	370	370	370
4.19		Overall length	l ₁	mm	4135	4135	4200	4200	4390	4390
4.20		Length to face of forks	l ₂	mm	3065	3065	3130	3130	3170	3170
4.21		Overall width	b ₁	mm	1450	1450	1450	1450	1450	1450
4.22		Fork dimensions	s/e/l	mm	55/140/1070	55/140/1070	55/140/1070	55/140/1070	63/150/1220	63/150/1220
4.23		Fork carriage DIN 15 173, class/type A,B			III	III	III	III	IV	IV
4.24		Fork carriage width	b ₃	mm	1170	1170	1170	1170	1170	1170
4.31		Ground clearance, laden, below mast	m ₁	mm	140	140	140	140	140	140
4.32		Ground clearance, centre of wheelbase	m ₂	mm	280	280	280	280	285	285
4.33		Aisle width for pallets 1000x1200 wide*	A _{st}	mm	4455	4455	4525	4525	4570	4570
4.34	Aisle width for pallets 800x1200 long*	A _{sl}	mm	4655	4655	4725	4725	4770	4770	
4.35	Turning radius	W _a	mm	2700	2700	2750	2750	2800	2800	
4.36	Internal turning radius	b ₁₃	mm	880	880	880	880	880	880	
Performance	5.1	Travel speed, laden/unladen		km/h	24/24.5	23.5/24	23.5/24	23.5/24	23.5/24	23.5/24
	5.2	Lift speed, laden/unladen		m/s	0.51/0.55	0.51/0.55	0.44/0.48	0.48/0.52	0.44/0.48	0.48/0.52
	5.3	Lowering speed, laden/unladen		m/s	0.50/0.55	0.50/0.55	0.50/0.50	0.50/0.50	0.50/0.50	0.50/0.50
	5.6	Max. drawbar pull, laden/unladen		N	36300/15700	36300/15700	36300/16700	36300/16700	36300/17600	36300/17600
	5.7	Gradeability, laden ²⁾		%	34	35	30	32	28	29
	5.8	Max. gradeability, laden/unladen ³⁾		%	38/22	39/22	34/22	35/22	31/22	32/22
	5.9	Acceleration time, laden/unladen		s						
5.10	Service brake				hydraulic	hydraulic	hydraulic	hydraulic	hydraulic	
Engine	7.1	Engine manufacturer/type			TOYOTA 1FZ	TOYOTA 14Z	TOYOTA 1FZ	TOYOTA 14Z	TOYOTA 1FZ	TOYOTA 14Z
	7.2	Engine power acc to ISO 1585		kW	62	56	62	56	62	56
	7.3	Rated speed		1/min	2100	2100	2100	2100	2100	2100
	7.4	No. of cylinders/displacement		cm ³	6/4476	6/5204	6/4476	6/5204	6/4476	6/5204
	7.5	Fuel consumption acc to VDI cycle		l/h						
Others	8.2	Operating pressure for attachments		bar	181	181	181	181	181	181
	8.3	Oil volume for attachments		l/min	95	98	95	106	95	106
	8.4	Sound level at the driver's ear according to EN 12 053		dB(A)	82	83	82	83	82	83
	8.5	Towing coupling, type DIN								

* aisle width calculation based on VDI 2198

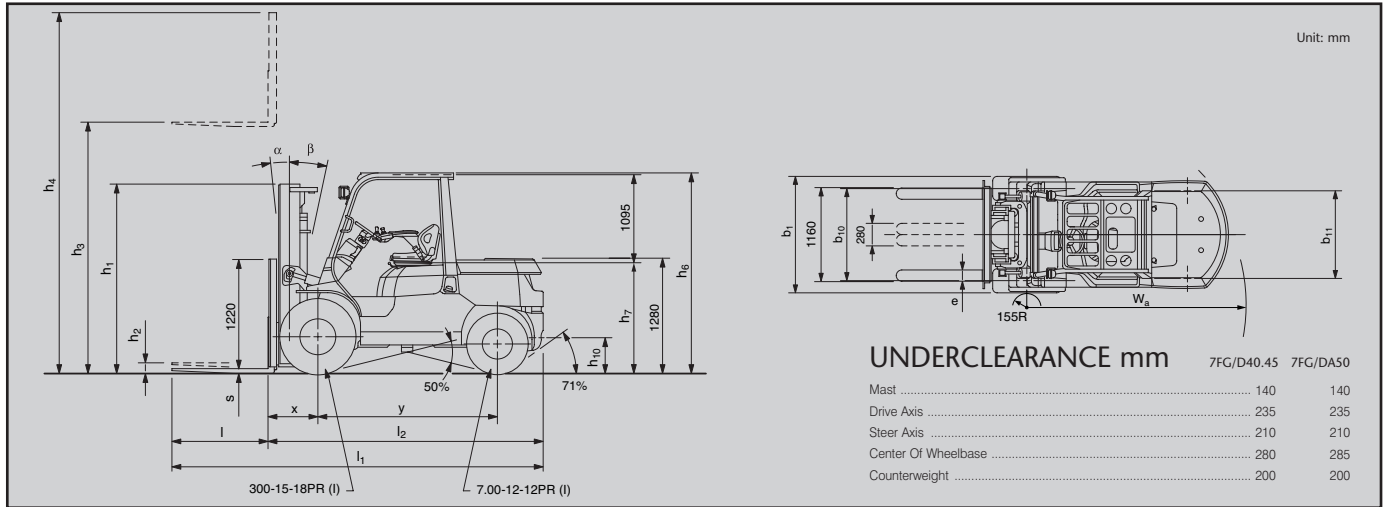
¹⁾ With 600 mm load center: 7FG40 = 8990/1230 mm; 7FD40 = 9020/1330 mm; 7FG45 = 9880/1230 mm; 7FD45 = 9940/1330 mm

²⁾ At 1,5km/h

³⁾ Computed values

7FG/D40, 7FG/D45, 7FG/DA50

DIMENSIONAL DRAWINGS



SPECIAL TREAD

Model	7FG/7FD40			7FG/7FD45 & 7FGA/7FDA50		
Front Tyre Single/Dual	Single	Single	Dual	Single	Single	Dual
Front Tyre Size	300-15-18PR (I)	32x12.1-15-20PR (I)	8.25-15-12PR (I)	300-15-18PR (I)	32x12.1-15-20PR (I)	8.25-15-12PR (I)
Overall Width	mm 1450	1465	1890	1445	1465	1890
Tread, Front	mm 1150	1150	1385	1150	1150	1385

MAST SPECIFICATION & RATED CAPACITIES

Model	Mast Type	Maximum Fork Height	Overall Height		Free Lift		Single Tyre			Dual Tyre		
			Lowered	Extended Without Load Backrest	Without Load Backrest	With Standard Load Backrest	Tilt Range		Load Capacity at 500 mm [600mm] LCP	Tilt Range		Load Capacity at 500 mm [600mm] LCP
							FWD	BWD		FWD	BWD	
		h_3	h_1	h_4	h_2	h_2	deg	deg	kg	deg	deg	kg
		mm	mm	mm	mm	mm						
7FG/D40	V	3000	2110 <2200>	3795	115	115	6	12	4500 [4000]	6	12	4500 [4000]
		3300	2290 <2350>	4095	115	115	6	12	4500 [4000]	6	12	4500 [4000]
		3500	2390 <2450>	4295	115	115	6	12	4500 [4000]	6	12	4500 [4000]
		3700	2490 <2600>	4495	115	115	6	12	4500 [4000]	6	12	4500 [4000]
		4000	2740 <2800>	4795	115	115	6	12	4500 [4000]	6	12	4500 [4000]
		4500	2990 <3050>	5295	115	115	6	12	4500 [4000]	6	12	4500 [4000]
	FV	5000	3240 <3300>	5795	115	115	6	6	4200 [4000]	6	12	4400 [4000]
		3000	2110	3825	1285	895	6	12	4500 [4000]	6	12	4500 [4000]
		3300	2290	4125	1465	1075	6	12	4500 [4000]	6	12	4500 [4000]
		3500	2390	4325	1465	1175	6	12	4500 [4000]	6	12	4500 [4000]
		3700	2490	4525	1665	1275	6	12	4500 [4000]	6	12	4500 [4000]
		4000	2740	4825	1915	1525	6	12	4500 [4000]	6	12	4500 [4000]
FSV	3700	1890	4525	1065	675	6	6	4500 [4000]	6	6	4500 [4000]	
	4000	1990	4825	1165	775	6	6	4500 [4000]	6	6	4500 [4000]	
	4300	2110	5125	1285	895	6	6	4500 [4000]	6	6	4500 [4000]	
	4500	2225	5325	1400	1010	6	6	4500 [4000]	6	6	4500 [4000]	
	4700	2290	5525	1465	1075	6	6	4500 [4000]	6	6	4500 [4000]	
	5000	2390	5825	1565	1175	6	6	4400 [4000]	6	6	4400 [4000]	
7FG/D45	V	5500	2540	6325	1715	1325	6	6	3500 [3500]	6	6	4200 [4000]
		6000	2740	6825	1915	1525	6	6	2700 [2700]	6	6	3300 [3000]
		3000	2200	3670	115	115	6	12	5000 [4500]	6	12	5000 [4500]
		3300	2350	3970	115	115	6	12	5000 [4500]	6	12	5000 [4500]
		3500	2450	4170	115	115	6	12	5000 [4500]	6	12	5000 [4500]
		3700	2600	4370	115	115	6	12	5000 [4500]	6	12	5000 [4500]
	FV	4000	2800	4670	115	115	6	12	5000 [4500]	6	12	5000 [4500]
		4500	3050	5170	115	115	6	6	5000 [4500]	6	12	5000 [4500]
		5000	3300	5670	115	115	6	6	4000 [4000]	6	12	4600 [4400]
		3000	2200	3700	1500	980	6	12	5000 [4500]	6	12	5000 [4500]
		3300	2350	4000	1650	1130	6	12	5000 [4500]	6	12	5000 [4500]
		3500	2450	4200	1750	1230	6	12	5000 [4500]	6	12	5000 [4500]
FSV	3700	2600	4400	1900	1380	6	12	5000 [4500]	6	12	5000 [4500]	
	4000	2800	4700	2100	1580	6	12	5000 [4500]	6	12	5000 [4500]	
	4300	2050	4400	1350	830	6	6	5000 [4500]	6	6	5000 [4500]	
	4500	2120	4700	1420	900	6	6	5000 [4500]	6	6	5000 [4500]	
	4700	2200	5000	1500	980	6	6	4900 [4500]	6	6	4900 [4500]	
	5000	2270	5200	1570	1050	6	6	4500 [4200]	6	6	4700 [4400]	
7FG/DA50	V	4700	2350	5400	1650	1130	6	6	4500 [4200]	6	6	4700 [4400]
		5000	2450	5700	1750	1230	6	6	4000 [4000]	6	6	4600 [4300]
		5500	2600	6200	1900	1380	6	6	3000 [3000]	6	6	4400 [4100]
		6000	2800	6700	2100	1580	6	6	2300 [2300]	6	6	4200 [3900]
		3000	2450	3845	120	120	6	12	5000	6	12	5000
		3300	2600	4145	120	120	6	12	5000	6	12	5000
	FSV	3500	2800	4345	120	120	6	12	4900	6	12	5000
		3700	2800	4545	120	120	6	12	5000	6	12	5000
		4000	3050	4845	120	120	6	12	5000	6	12	5000
		4500	3300	5345	120	120	6	6	5000	6	12	5000
		5000	3550	5845	120	120	6	6	4000	6	12	4800
		3700	2200	4570	1330	830	6	6	5000	6	6	5000
FSV	4000	2270	4870	1400	900	6	6	4900	6	6	4900	
	4300	2350	5170	1480	980	6	6	4800	6	6	4800	
	4700	2450	5570	1580	1080	6	6	4300	6	6	4600	
	5000	2600	5870	1730	1230	6	6	4100	6	6	4500	
	5500	2800	6370	1930	1430	6	6	3100	6	6	4300	
	6000	3050	6870	2180	1680	6	6	2400	6	6	4100	

Note: Height of standard load backrest is 1220 mm (7FG/D40.45); 1370 (7FG/DA50);
 h_4 with standard load backrest is + 425/550/525 mm (7FG/D40/45/50 V), + 395/520 mm (7FG/D40/45 FV), + 395/520/500 mm (7FG/D40/45/50 FSV)
 Data between "<" ">" is for heavy-duty mast

7FGF15.18.20.25.30, 7FGJF35
7FDF15.18.20.25.30, 7FDJF35

- Toyota SAS (System of Active Stability*)
- Toyota OPS (Operator Presence Sensing)
- Toyota OTC (Operator Total Care):
 - Toyota ORS (Operator Restraint System) seat
 - Seat mounted minilevers (optional)
 - D2 pedal (optional)
- Wide visible mast [MFH: 3000 mm]
- Load backrest [Height: 1220 mm]
- Long forks [Length: 1000 mm]
- Long forkbar [Length: 920 mm (7FG/DF15.18); 1020 mm (7FG/DF20.25); 1070 mm (7FG/DF30, 7FG/DJF35)]
- 3-way valve (A400)
- Dual brake system
- Pneumatic tyres
- Full hydraulic power steering
- 7" cyclone air cleaner with snorkel air intake
- Anti-restart ignition key switch
- Headlights
- Rear combination lights
- Integrated monitoring center
- Memory tilt steering column

7FG35.40.45, 7GA50
7FD35.40.45, 7DA50

- Toyota SAS (System of Active Stability*)
- Toyota OPS (Operator Presence Sensing)
- Toyota OTC (Operator Total Care):
 - Toyota ORS (Operator Restraint System) seat
 - Seat mounted minilevers (optional)
 - D2 pedal (optional)
- Wide visible mast [MFH: 3000 mm]
- Load backrest [Height: 1220 mm (7FG/D35.40.45); 1370 mm (7FG/DA50)]
- Long forks [Length: 1070 mm (7FG/D35.40.45); 1220 mm (7FG/DA50)]
- Long forkbar [Length: 1170 mm]
- 2-way valve
- Dual brake system
- Pneumatic tyres
- Full hydraulic power steering
- 8" cyclone air cleaner with snorkel air intake
- Headlights
- Integrated monitoring center
- Memory tilt steering column

NOTE: * When dual tyres are selected, the Active Control Rear Stabilizer function of the SAS system of Active Stability (SAS) is not included.

The data in this spec sheet was determined based on our standard testing condition. Operating performance may vary depending on the actual specification and condition of the truck as well as the condition of the operating area. Availability and specifications are determined regionally and are subject to change without notice. Please consult your Toyota representative for details.