

STANDARD SPECIFICATIONS

1	Manufacturer			TCM			
	2	Model			FG20C3	FG20T3	FG25C3
3	Load Capacity	kg	2000		2500		
4	Load Center	mm	500		500		
5	Power Type		Gasoline		Gasoline		
6	Operator Position		Seated		Seated		
7	Tire Type	Front / Rear	Pneumatic		Pneumatic		
8	Wheels (x = driven)	Front / Rear	2X / 2		2X / 2		
9	Maximum Fork Height	mm	3000		3000		
10	Free Lift	mm	110		110		
13	Fork Size	L x W x T	1070 x 122 x 40		1070 x 122 x 40		
	Fork Spread (Outside)	Max. / Min.	1020 / 244		1020 / 244		
14	Tilt Angle	Fwd. / Bwd.	6 / 12		6 / 12		
15	Length to Fork Face	mm	2485		2555		
16	Overall Width	mm	1150		1150		
17	Mast Height Fork Lowered	mm	2030		2030		
18	Mast Height Fork Raised	mm	4030		4030		
19	Overhead Guard Height(EXB,EXK)	mm	2070		2070		
	Overhead Guard Height(EXC,EXE,EXN)	mm	2130		2130		
20	Operator's Seat Height	mm	1045		1045		
21	Turning Radius (Outside)	mm	2170		2240		
22	Load Distance (Centerline of front axle to front face of forks)	mm	450		450		
	Rear Overhang	mm	435		505		
23	Basic Right Angle Stacking Aisle Width	mm	3890		3960		
24	Speeds	Travel, Max. (Fwd. / Rvs.)	Full Load	km/h	18.5		18.5
			No Load	km/h	19		19
		Lifting	Full Load	mm/sec	540		540
			No Load	mm/sec	580		580
		Lowering	Full Load	mm/sec	450		450
			No Load	mm/sec	550		550
28	Max. Drawbar Pull	Full Load	kN	12.3	16.7	12.3	16.7
		No Load	kN	8.3		8.3	
30	Max. Gradeability*	Full Load	%	20	28	19	24
		No Load	%	20		20	
32	Total Weight	kg	3210		3570		
33	Weight Distribution	Full Load	Front	kg	4610		5350
			Rear	kg	600		720
34	No Load	Front	kg	1430		1370	
		Rear	kg	1780		2200	
35	Number	Front / Rear	2 / 2		2 / 2		
36	Tires	Front	7.00-12-12PR(I)		7.00-12-12PR(I)		
		Rear	6.00-9-10PR(I)		6.00-9-10PR(I)		
37	Size	Front	7.00-12-12PR(I)		7.00-12-12PR(I)		
		Rear	6.00-9-10PR(I)		6.00-9-10PR(I)		
38	Wheelbase	mm	1600		1600		
39	Tread	Front	970		970		
		Rear	970		970		
	Backrest Height	mm	1000		1000		
	Overhead Guard Clearance	mm	1005		1005		
	Counterweight Height	mm	1110		1110		
	Drawbar Pin Center Height	mm	530		530		
	Step Height / Floor Height	mm	435 / 650		435 / 650		
40	Underclearance	Min. with Load	mm		110		
41	Center of Wheelbase	mm	120		120		
42	Brake	Service (Foot)	Hydraulic-Foot pedal		Hydraulic-Foot pedal		
43	Parking		Mechanical-Hand lever		Mechanical-Hand lever		
45	Battery	Voltage / Capacity (SHR)	V/AH	12 / 30		12 / 30	
49	Make / Model		NISSAN / K21		NISSAN / K21		
50	Rated Horsepower / r.p.m.	kW	34.6 / 2250		34.6 / 2250		
51	Rated Torque / r.p.m.	N-m	153.5 / 1600		153.5 / 1600		
52	Internal Combustion Engine	Number of Cylinder	4		4		
		Piston Displacement	cc	2065		2065	
	Alternator output	kW/Amp	0.60 / 50		0.60 / 50		
	Fuel Tank Capacity Type	liter	70		70		
55	Transmission	Type	Manual	Power-shift	Manual	Power-shift	Manual
		Stage	Fwd.-Rvs.	2-2	1-1	2-2	1-1
57	Operating Pressure	For Attachments	MPa	17.7		17.7	

NOTE : * Computed values.

		TCM								
		FG30C3	FG30T3	FHG20C3	FHG20T3	FHG25C3	FHG25T3	FHG30C3	FHG30T3	FG35T3S
		3000		2000		2500		3000		3500
		500		500		500		500		500
		Gasoline		Gasoline		Gasoline		Gasoline		Gasoline
		Seated		Seated		Seated		Seated		Seated
		pneumatic		pneumatic		pneumatic		pneumatic		Pneumatic
		2X / 2		2X / 2		2X / 2		2X / 2		2X / 2
		3000		3000		3000		3000		3000
		165		110		110		165		170
		1070 x 125 x 45		1070 x 122 x 40		1070 x 122 x 40		1070 x 125 x 45		1070 x 150 x 50
		1090 / 250		1020 / 244		1020 / 244		1090 / 250		1090 / 300
		6 / 12		6 / 12		6 / 12		6 / 12		6 / 12
		2705		2485		2555		2705		2800
		1225		1150		1150		1225		1290
		2075		2030		2030		2075		2135
		4260		4030		4030		4260		4255
		2090		2070		2070		2090		2140
		2150		2130		2130		2150		2200
		1070		1045		1045		1070		1120
		2400		2170		2240		2400		2470
		480		450		450		480		495
		525		435		505		525		605
		4150		3890		3960		4150		4265
		19		18.5		18.5		19		18.5
		19.5		19		19		19.5		19
		440		600		600		500		400
		490		620		620		520		450
		450		450		450		450		420
				550		550				450
		10.8	14.2	14.2	22.1	14.2	22.1	12.7	19.6	17.0
		9.8		8.3		8.3		9.8		9.8
		14	18	24	36	21	33	18	24	17
		20		20		18		20		16
		4250		3230		3580		4260		4820
		6350		4630		5350		6350		7235
		900		600		730		910		1085
		1620		1450		1370		1620		1685
		2630		1780		2210		2640		3135
		2 / 2		2 / 2		2 / 2		2 / 2		2 / 2
		28x9-15-12PR(I)		7.00-12-12PR(I)		7.00-12-12PR(I)		28x9-15-12PR(I)		250-15-16PR(I)
		6.50-10-10PR(I)		6.00-9-10PR(I)		6.00-9-10PR(I)		6.50-10-10PR(I)		6.50-10-12PR(I)
		1700		1600		1600		1700		1700
		1000		970		970		1000		1060
		970		970		970		970		970
		1220		1000		1000		1220		1220
		1005		1005		1005		1005		1005
		1130		1110		1110		1130		1180
		560		530		530		560		610
		460 / 680		435 / 650		435 / 650		460 / 680		485 / 730
		140		110		110		140		125
		145		120		120		145		190
		Hydraulic-Foot pedal		Hydraulic-Foot pedal		Hydraulic-Foot pedal		Hydraulic-Foot pedal		Hydraulic-Foot pedal
		Mechanical-Hand lever		Mechanical-Hand lever		Mechanical-Hand lever		Mechanical-Hand lever		Mechanical-Hand lever
		12 / 30		12 / 30		12 / 30		12 / 30		12 / 30
		NISSAN / K21		NISSAN / K25		NISSAN / K25		NISSAN / K25		NISSAN / K25
		34.6 / 2250		39.5 / 2100		39.5 / 2100		39.5 / 2100		39.5 / 2100
		153.5 / 1600		188.1 / 1600		188.1 / 1600		188.1 / 1600		188 / 1600
		4		4		4		4		4
		2065		2488		2488		2488		2488
		0.60 / 50		0.60 / 50		0.60 / 50		0.60 / 50		0.60 / 50
		70		70		70		70		70
		Manual	Power-shift	Manual	Power-shift	Manual	Power-shift	Manual	Power-shift	Power-shift
		2-2	1-1	2-2	1-1	2-2	1-1	2-2	1-1	1-1
		17.7		17.7		17.7		17.7		17.7

STANDARD SPECIFICATIONS

			TCM							
			FD20C3	FD20T3	FD25C3	FD25T3	FD30C3	FD30T3		
Characteristics	1	Manufacturer								
	2	Model								
	3	Load Capacity	kg	2000	2500	3000				
	4	Load Center	mm	500	500	500				
	5	Power Type		Diesel	Diesel	Diesel				
	6	Operator Position		Seated	Seated	Seated				
	7	Tire Type	Front / Rear	Pneumatic	Pneumatic	Pneumatic				
	8	Wheels (x = driven)	Front / Rear	2X / 2	2X / 2	2X / 2				
	9	Maximum Fork Height	mm	3000	3000	3000				
	10	Free Lift	mm	110	110	165				
Dimensions	13	Fork Size	L X W X T	mm	1070 X 122 X 40	1070 X 122 X 40	1070 X 125 X 45			
		Fork Spread (Outside)	Max. / Min.	mm	1020 / 245	1020 / 245	1090 / 250			
	14	Tilt Angle	Fwd. / Bwd.	deg	6 / 12	6 / 12	6 / 12			
	15	Length to Fork Face		mm	2485	2555	2705			
	16	Overall Width		mm	1150	1150	1225			
	17	Mast Height Fork Lowered		mm	2030	2030	2075			
	18	Mast Height Fork Raised		mm	4030	4030	4250			
	19	Overhead Guard Height(EXB,EXK)		mm	2070	2070	2090			
		Overhead Guard Height(EXC,EXE,EXN)		mm	2130	2130	2150			
	20	Operator's Seat Height		mm	1045	1045	1070			
	21	Turning Radius (Outside)		mm	2170	2240	2400			
	22	Load Distance (Centerline of front axle to front face of forks)		mm	450	450	480			
		Rear Overhang		mm	435	505	525			
23	Basic Right Angle Stacking Aisle Width		mm	3890	3960	4150				
Performance	24	Travel, Max. (Fwd. / Rvs.)	Full Load	km/h	18.5	18	18.5	18	19	
	No Load		km/h	19	18.5	19	18.5	19.5		
	25	Speeds	Lifting	Full Load	mm/sec	630		520		
				No Load	mm/sec	670		590		
		Lowering	Full Load	mm/sec	450		450			
			No Load	mm/sec	550		450			
	26	Max. Drawbar Pull	Full Load	kN	13.7	19.1	13.7	19.1	12.7	17.2
	No Load		kN	8.3		8.3		9.8		
	30	Max. Gradeability*	Full Load	%	23	34	20	28	15	21
			No Load	%	20		18		20	
32	Total Weight		kg	3340	3700	4390				
33	Weight Distribution	Full Load	Front	kg	4670	5400	6410			
			Rear	kg	670	800	980			
		No Load	Front	kg	1490	1420	1680			
			Rear	kg	1850	2280	2710			
35	Tires	Number	Front / Rear	2 / 2		2 / 2				
Size		Front	7.00-12-12PR(I)		7.00-12-12PR(I)		28X9-15-12PR(I)			
37		Rear	6.00-9-10PR(I)		6.00-9-10PR(I)		6.50-10-10PR(I)			
38	Wheelbase		mm	1600	1600	1700				
39	Tread	Front	mm	970	1000	1000				
		Rear	mm	970	970	970				
	Backrest Height		mm	1000	1000	1220				
	Overhead Guard Clearance		mm	1005	1005	1005				
	Counterweight Height		mm	1110	1110	1130				
	Drawbar Pin Center Height		mm	530	530	560				
	Step Height / Floor Height		mm	435 / 650	435 / 650	460 / 680				
40	Underclearance	Min. with Load	mm	110	110	140				
41		Center of Wheelbase	mm	120	120	145				
42	Brake	Service (Foot)		Hydraulic-Foot pedal	Hydraulic-Foot pedal	Hydraulic-Foot pedal				
43		Parking		Mechanical-Hand lever	Mechanical-Hand lever	Mechanical-Hand lever				
45	Battery	Voltage / Capacity (5HR)	V/AH	12 / 64	12 / 64	12 / 64				
49	Internal Combustion Engine	Make / Model		NISSAN DIESEL / TD27-II	NISSAN DIESEL / TD27-II	NISSAN DIESEL / TD27-II				
50		Rated Horsepower / r.p.m.	kW	42.0 / 2400	42.0 / 2400	42.0 / 2400				
51		Rated Torque / r.p.m.	N-m	170 / 2300	170 / 2300	170 / 2300				
		Number of Cylinder		4	4	4				
52		Piston Displacement	cc	2663	2663	2663				
		Alternator output	kW/Amp	0.72 / 60	0.72 / 60	0.72 / 60				
		Fuel Tank Capacity Type	liter	70	70	70				
55	Transmission	Type		Manual	Power-shift	Manual	Power-shift			
		Stage	Fwd.-Rvs.	2-2	1-1	2-2	1-1			
57	Operating Pressure	For Attachments	MPa	17.7	17.7	17.7				

NOTE : * Computed values.

			TCM						
			FHD20C3A	FHD20T3A	FHD25C3A	FHD25T3A	FHD30C3A	FHD30T3A	FD35T3S
			2000		2500		3000		3500
			500		500		500		500
			Diesel		Diesel		Diesel		Diesel
			Seated		Seated		Seated		Seated
			Pneumatic		Pneumatic		Pneumatic		Pneumatic
			2X / 2		2X / 2		2X / 2		2X / 2
			3000		3000		3000		3000
			110		110		165		170
			1070 X 122 X 40		1070 X 122 X 40		1070 X 125 X 45		1070 X 150 X 50
			1020 / 245		1020 / 245		1090 / 250		1090 / 300
			6 / 12		6 / 12		6 / 12		6 / 12
			2485		2555		2705		2800
			1150		1150		1225		1290
			2030		2030		2075		2135
			4030		4030		4260		4255
			2070		2070		2090		2140
			2130		2130		2150		2200
			1045		1045		1070		1120
			2170		2240		2400		2470
			450		450		480		495
			435		505		525		605
			3890		3960		4150		4235
			18.5	18	18.5	18	19		19
			19	18.5	19	18.5	19.5		19.5
			630		630		520		460
			670		670		590		490
			450		450		450		420
			550		550		450		450
			14.8	23.5	14.8	23.5	13.8	20.6	18.1
			8.3		8.3		9.8		10.8
			26	36	22	30	15	24	18
			20		20		20		17
			3350		3700		4390		4940
			4690		5400		6410		7290
			660		800		980		1150
			1510		1420		1690		1740
			1840		2280		2700		3200
			2 / 2		2 / 2		2 / 2		2 / 2
			7.00-12-12PR(I)		7.00-12-12PR(I)		28X9-15-12PR(I)		250-15-16PR(I)
			6.00-9-10PR(I)		6.00-9-10PR(I)		6.50-10-10PR(I)		6.50-10-12PR(I)
			1600		1600		1700		1700
			970		970		1000		1060
			970		970		970		970
			1000		1000		1220		1220
			1005		1005		1005		1005
			1110		1110		1130		1180
			530		530		560		610
			435 / 650		435 / 650		460 / 680		485 / 730
			110		110		140		145
			120		120		145		190
			Hydraulic-Foot pedal		Hydraulic-Foot pedal		Hydraulic-Foot pedal		Hydraulic-Foot pedal
			Mechanical-Hand lever		Mechanical-Hand lever		Mechanical-Hand lever		Mechanical-Hand lever
			12 / 64		12 / 64		12 / 64		12 / 64
			NISSAN DIESEL / QD32		NISSAN DIESEL / QD32		NISSAN DIESEL / QD32		NISSAN DIESEL / QD32
			44 / 2300		44 / 2300		44 / 2300		44 / 2300
			189 / 1800		170 / 2300		189 / 1800		189 / 1800
			4		4		4		4
			3153		3153		3153		3153
			0.72 / 60		0.72 / 60		0.72 / 60		0.72 / 60
			70		70		70		70
			Manual	Power-shift	Manual	Power-shift	Manual	Power-shift	Power-shift
			2-2	1-1	2-2	1-1	2-2	1-1	1-1
			17.7		17.7		17.7		17.7

Wide View Mast

Wide View Mast VM

Mast Model	Rated Capacity/ 500mm load center (kg)				Max. Fork Height	Overall Mast Height			Tilting Angle F/B	(1) Service weight(kg)					
	FG / D20T3		FG / D25T3			Lowered	Raised with Backrest	deg		FG20T3			FG25T3		
	PNEUMATIC	UNIQUE(SE)	PNEUMATIC	UNIQUE(SE)						S	DD	SDD	S	DD	SDD
VM250	2000	2000	2500	2500	2500	1780	3530	6-10	3170	3275	3290	3530	3635	3650	
VM270	2000	2000	2500	2500	2700	1880	3730	6-10	3185	3290	3305	3545	3650	3665	
VM300	2000	2000	2500	2500	3000	2030	4030	6-12	3210	3315	3330	3570	3675	3690	
VM330	2000	2000	2500	2500	3300	2180	4330	6-12	3235	3340	3355	3595	3700	3715	
VM350	2000	2000	2500	2500	3500	2280	4530	6-12	3250	3355	3370	3610	3715	3730	
VM375	2000	2000	2500	2500	3750	2405	4780	6-6 *6-12	3270	3375	3390	3630	3735	3750	
VM400	2000	2000	2500	2500	4000	2580	5030	6-6 *6-12	3325	3430	3445	3685	3790	3805	
VM425	1950 *2000	1950 *2000	2450 *2500	2450 *2500	4250	2705	5280	6-6 *6-12	3345	3450	3465	3705	3810	3825	
VM450	1900 *1950	1900 *1950	2150 *2450	2350 *2450	4500	2830	5530	6-6 *6-12	3365	3470	3485	3725	3830	3845	
VM475	1800 *1850	1800 *1850	1850 *2350	2200 *2350	4750	2955	5780	6-6 *6-6	3385	3490	3505	3745	3850	3865	
VM500	1650 *1700	1700 *2250	1700 *2250	2000 *2250	5000	3080	6030	6-6 *6-6	3405	3510	3525	3765	3870	3885	
VM550	*1500	*1500	*1700	*1700	5500	3380	6530	*3-6	—	3585	3600	—	3945	3960	
VM600	*1300	*1300	*1400	*1400	6000	3630	7030	*3-6	—	3625	3640	—	3985	4000	

NOTE :(1) Weight for diesel model: +130kg(TD27)

Wide View Full Free 2-Stage Mast VFM

Mast Model	Rated Capacity/ 500mm load center (kg)				Max. Fork Height	Overall Mast Height			Tilting Angle F/B	(3) Service weight(kg)						
	FG / D20T3		FG / D25T3			Lowered	(1)Raised with Backrest	(2)Free lift with Backrest		deg	FG20T3			FG25T3		
	PNEUMATIC	UNIQUE(SE)	PNEUMATIC	UNIQUE(SE)							S	DD	SDD	S	DD	SDD
VFM250	2000	2000	2500	2500	2500	1780	3530	780	6-10	3225	3330	3345	3585	3690	3705	
VFM270	2000	2000	2500	2500	2700	1880	3730	880	6-10	3245	3350	3365	3605	3710	3725	
VFM300	2000	2000	2500	2500	3000	2030	4030	1030	6-12	3270	3375	3390	3630	3735	3750	
VFM330	2000	2000	2500	2500	3300	2180	4330	1180	6-12	3295	3400	3415	3655	3760	3775	
VFM350	2000	2000	2500	2500	3500	2280	4530	1280	6-12	3310	3415	3430	3670	3775	3790	
VFM375	2000	2000	2500	2500	3750	2405	4780	1405	6-6 *6-12	3330	3435	3450	3690	3795	3810	
VFM400	2000	2000	2500	2500	4000	2580	5030	1580	6-6 *6-12	3390	3495	3510	3750	3855	3870	
VFM425	1950 *2000	1950 *2000	2450 *2500	2450 *2500	4250	2705	5280	1705	6-6 *6-12	3410	3515	3530	3770	3875	3890	
VFM450	1900 *1950	1900 *1950	2150 *2450	2350 *2450	4500	2830	5530	1830	6-6 *6-12	3435	3540	3555	3795	3900	3915	
VFM475	1800 *1850	1800 *1850	1850 *2350	2200 *2350	4750	2955	5780	1955	6-6 *6-6	3455	3560	3575	3815	3920	3935	
VFM500	1650 *1700	1700 *2250	1700 *2250	2000 *2250	5000	3080	6030	2080	6-6 *6-6	3475	3580	3595	3835	3940	3955	
VFM550	*1500	*1500	*1700	*1700	5500	3380	6530	2380	*3-6	—	3660	3675	—	4020	4035	
VFM600	*1300	*1300	*1400	*1400	6000	3630	7030	2630	*3-6	—	3700	3715	—	4060	4075	

NOTE :(1) For height without backrest: -385mm
 (2) For free lift without backrest: +385mm
 (3) Weight for without backrest: -20kg
 Weight for diesel model: +130kg(TD27)

Wide View Full Free 3-Stage Mast VFHM

Mast Model	Rated Capacity/ 500mm load center (kg)				Max. Fork Height	Overall Mast Height			Tilting Angle F/B	(3) Service weight(kg)						
	FG / D20T3		FG / D25T3			Lowered	(1)Raised with Backrest	(2)Free lift with Backrest		deg	FG20T3			FG25T3		
	PNEUMATIC	UNIQUE(SE)	PNEUMATIC	UNIQUE(SE)							S	DD	SDD	S	DD	SDD
VFHM360	2000	2000	2500	2500	3600	1780	4630	780	6-6 *6-10	3365	3470	3485	3725	3830	3845	
VFHM400	2000	2000	2500	2500	4000	1905	5030	905	6-6 *6-10	3395	3500	3515	3755	3860	3875	
VFHM435	1900 *2000	1900 *2000	2200 *2400	2300 *2400	4350	2030	5380	1030	6-6 *6-10	3425	3530	3545	3785	3890	3905	
VFHM480	1700 *1900	1800 *1900	1900 *2300	2200 *2300	4800	2180	5830	1180	6-6 *6-10	3455	3560	3575	3815	3920	3935	
VFHM500	1500 *1800	1750 *1800	1600 *2250	2000 *2250	5000	2280	6030	1280	6-6 *6-10	3480	3585	3600	3840	3945	3960	
VFHM540	1200 *1750	1650 *1750	1300 *2150	1700 *2150	5400	2405	6430	1405	*3-6 *3-6	3510	3615	3630	3870	3975	3990	
VFHM600	900 *1650	1100 *1650	950 *1800	1100 *1800	6000	2630	7030	1630	*3-6	3605	3710	3725	3965	4070	4085	
VFHM650	*1500	*1500	*1550	*1550	6500	2845	7530	1845	*3-3	—	3765	3780	—	4125	4140	
VFHM700	*1250	*1250	*1250	*1250	7000	3065	8030	2065	*3-3	—	3820	3835	—	4180	4195	

NOTE :(1) For height without backrest: -455mm
 (2) For free lift without backrest: +455mm
 (3) Weight for without backrest: -20kg
 Weight for diesel model: +130kg(TD27)

NOTE :

Rated capacity with (*): Shows capacity with DD: front dual tires.
 Service weight of VM/VFM550-600 and of VFHM650-700 represents the weight of vehicles equipped with "SDD:special dual tires".
 Lifting speed with VFM/VFHM mast: with VFM FG 400mm/s with load. 520mm/s without load.
 with VFHM FG 400mm/s with load. 570mm/s without load.
 with VFHM FG 500mm/s with load. 540mm/s without load.
 with VFHM FG 500mm/s with load. 540mm/s without load.
 Lowering speed with VFM/VFHM mast: 400mm/s with load. 350mm/s without load.
 Overall vehicle length with VFHM mast: +15mm longer than of standard model with VM/VFM mast.

Wide View Mast

Wide View Full Free 2-Stage Mast VFV (4CYLINDER)

Mast Model	Rated Capacity/ 500mm load center (kg)				Max. Fork Height	Overall Mast Height			Tilting Angle F/B	(3) Service weight(kg)						
	FG / D20T3		FG / D25T3			Lowered	(1)Raised with Backrest	(2)Free lift with Backrest		deg	FG20T3			FG25T3		
	PNEUMATIC	UNIQUE(SE)	PNEUMATIC	UNIQUE(SE)							S	DD	SDD	S	DD	SDD
VFV300	1900	1900	2400	2400	3000	2045	4030	1045	6-12	3280	3385	3505	3640	3745	3865	
VFV330	1900	1900	2400	2400	3300	2195	4330	1195	6-12	3310	3415	3535	3670	3775	3895	
VFV350	1900	1900	2400	2400	3500	2295	4530	1295	6-12	3325	3430	3550	3685	3790	3910	
VFV375	1800 *1900	1800 *1900	2350	2350	3750	2420	4780	1420	*6-6 *6-12	3350	3455	3575	3710	3815	3935	
VFV400	1800 *1900	1800 *1900	2300 *2350	2300 *2350	4000	2595	5030	1595	*6-6 *6-12	3410	3515	3635	3770	3875	3995	

NOTE :(1) For height without backrest: -455mm
 (2) For free lift without backrest: +455mm
 (3) Weight for without backrest: -20kg
 Weight for diesel model: +130kg(TD27)

Wide View Full Free 3-Stage Mast VFHW (4CYLINDER)

Mast Model	Rated Capacity/ 500mm load center (kg)				Max. Fork Height	Overall Mast Height			Tilting Angle F/B	(3) Service weight(kg)						
	FG / D20T3		FG / D25T3			Lowered	(1)Raised with Backrest	(2)Free lift with Backrest		deg	FG20T3			FG25T3		
	PNEUMATIC	UNIQUE(SE)	PNEUMATIC	UNIQUE(SE)							S	DD	SDD	S	DD	SDD
VHW435	1800 *1900	1850 *1900	2200 *2400	2300 *2400	4350	2045	5380	1045	*6-6 6-10	3425	3530	3650	3785	3890	4010	
VHW480	1700 *1900	1800 *1900	1900 *2300	2200 *2300	4800	2195	5830	1195	*6-6 6-10	3470	3575	3695	3830	3935	4055	
VHW500	1500 *1800	1750 *1800	1600 *2250	2000 *2250	5000	2295	6030	1295	*6-6 6-10	3495	3600	3720	3855	3960	4080	
VHW540	1200 *1750	1650 *1750	1300 *2150	1700 *2150	5400	2420	6430	1420	*3-6	3520	3625	3745	3880	3985	4105	
VHW550	1150 *1750	1600 *1750	1250 *2100	1600 *2100	5500	2460	6530	1460	*3-6	3530	3635	3755	3890	3995	4115	

NOTE :(1) For height without backrest: -455mm
 (2) For free lift without backrest: +455mm
 (3) Weight for without backrest: -20kg
 Weight for diesel model: +130kg(TD27)

NOTE :

Rated capacity with (*): Shows capacity with DD: front dual tires.
 Lifting speed with VFM/VFHM mast: with VFM FG 450mm/s with load. 490mm/s without load.
 with VFHM FG 450mm/s with load. 570mm/s without load.
 with VFHM FG 460mm/s with load. 510mm/s without load.
 with VFHM FG 540mm/s with load. 590mm/s without load.
 Lowering speed with VFM/VFHM mast: 420mm/s with load. 380mm/s without load.
 Overall vehicle length with VFV/VFHW(4CYLINDER) mast: +35mm longer than of standard model with VM mast.

Wide View Mast

Wide View Mast VM

Mast Model	Rated Capacity/ 500mm load center (kg)		Max. Fork Height	Overall Mast Height			Tilting Angle F/B	(1) Service weight(kg)		
	FG / D30T3 FG / D30C3			Lowered	Raised with Backrest	(1)Raised with Backrest		FG30T3 FG30C3		
	PNEUMATIC	UNIQUE(SE)						mm	mm	mm
VM250	3000	3000	2500	1820	3760	6-10	4210	4245	4360	
VM270	3000	3000	2700	1920	3960	6-10	4225	4260	4375	
VM300	3000	3000	3000	2075	4260	6-12	4250	4285	4405	
VM330	3000	3000	3300	2225	4560	6-12	4275	4310	4425	
VM350	3000	3000	3500	2325	4760	6-12	4290	4325	4440	
VM375	3000	3000	3750	2450	5010	6-6 *6-12	4310	4345	4460	
VM400	3000	3000	4000	2625	5260	6-6 *6-12	4370	4405	4520	
VM425	2900 *3000	3000	4250	2750	5510	6-6 *6-12	4390	4425	4540	
VM450	2800 *3000	3000	4500	2875	5760	6-6 *6-12	4410	4445	4560	
VM475	2750 *2900	2900	4750	3000	6010	6-6 *6-6	4430	4465	4580	
VM500	2700 *2850	2850	5000	3125	6260	6-6 *6-6	4455	4490	4605	
VM550	*2400	*2400	5500	3425	6760	*3-6	---	4565	4680	
VM600	*2000	*2000	6000	3675	7260	*3-6	---	4605	4720	

NOTE :(1) Weight for diesel model: +140kg(TD27)

Wide View Full Free 2-Stage Mast VFM

Mast Model	Rated Capacity/ 500mm load center (kg)		Max. Fork Height	Overall Mast Height			(2)Free lift with Backrest	Tilting Angle F/B	(3) Service weight(kg)		
	FG / D30T3 FG / D30C3			Lowered	(1)Raised with Backrest	(1)Raised with Backrest			FG30T3 FG30C3		
	PNEUMATIC	UNIQUE(SE)							mm	mm	mm
VFM250	3000	3000	2500	1820	3760	600	6-10	4250	4245	4360	
VFM270	3000	3000	2700	1920	3960	700	6-10	4265	4260	4375	
VFM300	3000	3000	3000	2075	4260	850	6-12	4295	4285	4400	
VFM330	3000	3000	3300	2225	4560	1000	6-12	4320	4310	4425	
VFM350	3000	3000	3500	2325	4760	1100	6-12	4335	4325	4440	
VFM375	3000	3000	3750	2450	5010	1225	6-6 *6-12	4360	4345	4460	
VFM400	3000	3000	4000	2625	5260	1400	6-6 *6-12	4425	4405	4520	
VFM425	2900 *3000	3000	4250	2750	5510	1525	6-6 *6-12	4445	4425	4540	
VFM450	2800 *3000	3000	4500	2875	5760	1650	6-6 *6-12	4465	4445	4560	
VFM475	2750 *2900	2900	4750	3000	6010	1775	6-6 *6-6	4490	4465	4580	
VFM500	2700 *2850	2850	5000	3125	6260	1900	6-6 *6-6	4510	4490	4605	
VFM550	*2400	*2400	5500	3425	6760	2200	*3-6	---	4565	4680	
VFM600	*2000	*2000	6000	3675	7260	2450	*3-6	---	4605	4720	

NOTE :(1) For height without backrest: -520mm
(2) For free lift without backrest: +520mm
(3) Weight for without backrest: -30kg
Weight for diesel model: +140kg(TD27)

Wide View Full Free 3-Stage Mast VFHM

Mast Model	Rated Capacity/ 500mm load center (kg)		Max. Fork Height	Overall Mast Height			(2)Free lift with Backrest	Tilting Angle F/B	(3) Service weight(kg)		
	FG / D30T3 FG / D30C3			Lowered	(1)Raised with Backrest	(1)Raised with Backrest			FG30T3 FG30C3		
	PNEUMATIC	UNIQUE(SE)							mm	mm	mm
VFHM360	3000	3000	3600	1825	4860	600	6-6 *6-10	4395	4430	4545	
VFHM400	3000	3000	4000	1950	5260	725	6-6 *6-10	4425	4460	4575	
VFHM435	2900 *3000	2900 *3000	4350	2075	5610	850	6-6 *6-10	4460	4495	4610	
VFHM480	2800 *2900	2800 *2900	4800	2225	6060	1000	6-6 *6-10	4495	4530	4645	
VFHM500	2600 *2750	2750	5000	2325	6260	1100	6-6 *6-10	4520	4555	4670	
VFHM540	1900 *2650	2500 *2650	5400	2450	6660	1225	3-6 *3-6	4555	4590	4705	
VFHM600	1400 *2100	1850 *2100	6000	2675	7260	1450	3-6 *3-6	4650	4685	4800	
VFHM650	*1700	*1700	6500	2890	7760	1665	*3-3	---	4750	4865	
VFHM700	*1350	*1350	7000	3110	8260	1885	*3-3	---	4805	4920	

NOTE :(1) For height without backrest: -580mm
(2) For free lift without backrest: +580mm
(3) Weight for without backrest: -30kg
Weight for diesel model: +140kg(TD27)

NOTE :

Rated capacity with (*): Shows capacity with DD: front dual tires.
Service weight of VM/VFM550-600 and VFHM650-700 represents the weight of vehicles equipped with *SDD:special dual tires.
Lifting speed with VFM/VFHM mast: with VFM FG 420mm/s with load. 440mm/s without load.
FD 460mm/s with load. 530mm/s without load.
with VFHM FG 430mm/s with load. 450mm/s without load.
FD 480mm/s with load. 550mm/s without load.
Lowering speed with VFM/VFHM mast: 400mm/s with load. 350mm/s without load.
Overall vehicle length with VFHM mast: +15mm longer than of standard model with VM/VFM mast.

Wide View Mast

Wide View Full Free 2-Stage Mast VFW (4CYLINDER)

Mast Model	Rated Capacity/ 500mm load center (kg)		Max. Fork Height	Overall Mast Height			(2)Free lift with Backrest	Tilting Angle F/B	(3) Service weight(kg)		
	FG / D30T3 FG / D30C3			Lowered	(1)Raised with Backrest	(1)Raised with Backrest			FG30T3 FG30C3		
	PNEUMATIC	UNIQUE(SE)							mm	mm	mm
VFW300	2900	2900	3000	2125	4260	900	6-12	4310	4345	4495	
VFW330	2900	2900	3300	2275	4560	1050	6-12	4335	4370	4520	
VFW350	2900	2900	3500	2375	4760	1150	6-12	4355	4390	4540	
VFW375	2900	2900	3750	2500	5010	1275	6-6 *6-12	4375	4410	4560	
VFW400	2900	2900	4000	2675	5260	1450	6-6 *6-12	4440	4475	4625	

NOTE :(1) For height without backrest: -580mm
(2) For free lift without backrest: +580mm
(3) Weight for without backrest: -30kg
Weight for diesel model: +140kg(TD27)

Wide View Full Free 3-Stage Mast VFHW (4CYLINDER)

Mast Model	Rated Capacity/ 500mm load center (kg)		Max. Fork Height	Overall Mast Height			(2)Free lift with Backrest	Tilting Angle F/B	(3) Service weight(kg)		
	FG / D30T3 FG / D30C3			Lowered	(1)Raised with Backrest	(1)Raised with Backrest			FG30T3 FG30C3		
	PNEUMATIC	UNIQUE(SE)							mm	mm	mm
VHW435	2800 *2900	2900	4350	2125	5610	900	6-6 *6-10	4470	4505	4655	
VHW480	2700 *2800	2800	4800	2275	6060	1050	6-6 *6-10	4510	4545	4695	
VHW500	2600 *2750	2750	5000	2375	6260	1150	6-6 *6-10	4535	4570	4720	
VHW540	1900 *2650	2500 *2650	5400	2500	6660	1275	3-6	4565	4600	4750	
VHW550	1900 *2600	2350 *2600	5500	2540	6760	1315	3-6	4575	4610	4760	

NOTE :(1) For height without backrest: -580mm
(2) For free lift without backrest: +580mm
(3) Weight for without backrest: -30kg
Weight for diesel model: +140kg(TD27)

NOTE :

Rated capacity with (*): Shows capacity with DD: front dual tires.
Lifting speed with VFM/VFHM mast: with VFM FG 360mm/s with load. 420mm/s without load.
FD 430mm/s with load. 500mm/s without load.
with VFHM FG 380mm/s with load. 430mm/s without load.
FD 450mm/s with load. 520mm/s without load.

Lowering speed with VFM/VFHM mast: 400mm/s with load. 350mm/s without load.
Overall vehicle length with VFW/VFHW(4CYLINDER) mast: +35mm/+45mm longer than of standard model with VM mast.

Wide View Mast

Wide View Mast VM

Mast Model	Rated Capacity/ 500mm load center(kg)						Max. Fork Height	Overall Mast Height		Tilting Angle F/B	(2) Service weight(kg)									
	FHG20T3 / FHD20T3A		FHG25T3 / FHD25T3A		FHG30T3 / FHD30T3A			(1) Lowered	(2) Raised with Backrest		FHG20T3 FHG20C3			FHG25T3 FHG25C3			FHG30T3 FHG30C3			
	PNEUMATIC	UNIQUE/SE	PNEUMATIC	UNIQUE/SE	PNEUMATIC	UNIQUE/SE					mm	mm	deg	S	DD	SDD	S	DD	SDD	S
VM250	2000	2000	2500	2500	3000	3000	2500	1780	3530	6-10	3190	3295	3310	3540	3645	3660	4220	4255	4370	
VM270	2000	2000	2500	2500	3000	3000	2700	1880	3730	6-10	3205	3310	3325	3555	3660	3675	4235	4270	4385	
VM300	2000	2000	2500	2500	3000	3000	3000	2030	4030	6-12	3230	3335	3350	3580	3685	3700	4260	4295	4410	
VM330	2000	2000	2500	2500	3000	3000	3300	2180	4330	6-12	3255	3360	3375	3605	3710	3725	4285	4320	4435	
VM350	2000	2000	2500	2500	3000	3000	3500	2280	4530	6-12	3270	3375	3390	3620	3725	3740	4300	4335	4450	
VM375	2000	2000	2500	2500	3000	3000	3750	2405	4780	6-6 *6-12	3290	3395	3410	3640	3745	3760	4320	4355	4470	
VM400	2000	2000	2500	2500	3000	3000	4000	2580	5030	6-6 *6-12	3345	3450	3465	3695	3800	3815	4380	4415	4530	
VM425	1950 *2000	1950 *2000	2450 *2500	2450 *2500	2900 *3000	2900 *3000	3000	4250	2705	5280	6-6 *6-12	3365	3470	3485	3715	3820	3835	4400	4435	4550
VM450	1900 *1950	1900 *1950	2150 *2450	2150 *2450	2800 *3000	2800 *3000	3000	4500	2830	5530	6-6 *6-12	3385	3490	3505	3735	3840	3855	4420	4455	4570
VM475	1800 *1850	1800 *1850	1850 *2350	1850 *2350	2750 *2900	2750 *2900	2900	4750	2955	5780	6-6 *6-6	3405	3510	3525	3755	3860	3875	4440	4475	4590
VM500	1650 *1700	1700 *2250	1700 *2250	2000 *2850	2700 *2850	2850	5000	3080	6030	6-6 *6-6	3425	3530	3545	3775	3880	3895	4465	4500	4615	
VM550	*1500	*1500	*1700	*2400	*2400	5500	3380	6530	7030	*3-6	---	3605	3620	---	3955	3970	---	4575	4690	
VM600	*1300	*1300	*1400	*2000	*2000	6000	3630	7030	7030	*3-6	---	3645	3660	---	3995	4010	---	4615	4730	

NOTE : (1) Figures for [2t, 2.5t model] . For [3t model] +45mm
 (2) Weight for diesel model: [2t model] +120kg, [2.5t model] +120kg, [3t model] +130kg.

Wide View Full Free 2-Stage Mast VFH

Mast Model	Rated Capacity/ 500mm load center(kg)						Max. Fork Height	Overall Mast Height		(3)Free lift with Backrest	Tilting Angle F/B	(4) Service weight(kg)									
	FHG20T3 / FHD20T3A		FHG25T3 / FHD25T3A		FHG30T3 / FHD30T3A			(1) Lowered	(2) Raised with Backrest			FHG20T3 FHG20C3			FHG25T3 FHG25C3			FHG30T3 FHG30C3			
	PNEUMATIC	UNIQUE/SE	PNEUMATIC	UNIQUE/SE	PNEUMATIC	UNIQUE/SE						mm	mm	mm	deg	S	DD	SDD	S	DD	SDD
VFM250	2000	2000	2500	2500	3000	3000	2500	1780	3530	780	6-10	3245	3350	3365	3595	3700	3715	4260	4295	4410	
VFM270	2000	2000	2500	2500	3000	3000	2700	1880	3730	880	6-10	3265	3370	3385	3615	3720	3735	4275	4310	4425	
VFM300	2000	2000	2500	2500	3000	3000	3000	2030	4030	1030	6-12	3290	3395	3410	3640	3745	3760	4305	4340	4455	
VFM330	2000	2000	2500	2500	3000	3000	3300	2180	4330	1180	6-12	3315	3420	3435	3665	3770	3785	4350	4385	4480	
VFM350	2000	2000	2500	2500	3000	3000	3500	2280	4530	1280	6-12	3330	3435	3450	3680	3785	3800	4345	4380	4495	
VFM375	2000	2000	2500	2500	3000	3000	3750	2405	4780	1405	6-6 *6-12	3350	3455	3470	3700	3805	3820	4370	4405	4520	
VFM400	2000	2000	2500	2500	3000	3000	4000	2580	5030	1580	6-6 *6-12	3410	3515	3530	3760	3865	3880	4435	4470	4585	
VFM425	1950 *2000	1950 *2000	2450 *2500	2450 *2500	2900 *3000	2900 *3000	3000	4250	2705	5280	1705	6-6 *6-12	3430	3535	3550	3780	3885	3900	4455	4490	4605
VFM450	1900 *1950	1900 *1950	2150 *2450	2150 *2450	2800 *3000	2800 *3000	3000	4500	2830	5530	1830	6-6 *6-12	3455	3560	3575	3805	3910	3925	4475	4510	4625
VFM475	1800 *1850	1800 *1850	1850 *2350	1850 *2350	2750 *2900	2750 *2900	2900	4750	2955	5780	1955	6-6 *6-6	3475	3580	3595	3825	3930	3945	4500	4535	4650
VFM500	1650 *1700	1700 *2250	1700 *2250	2000 *2850	2700 *2850	2850	5000	3080	6030	2080	6-6 *6-6	3495	3600	3615	3845	3950	3965	4520	4555	4670	
VFM550	*1500	*1500	*1700	*2400	*2400	5500	3380	6530	7030	*3-6	---	3680	3695	---	4030	4045	---	4640	4755		
VFM600	*1300	*1300	*1400	*2000	*2000	6000	3630	7030	7030	*3-6	---	3720	3735	---	4070	4085	---	4685	4800		

NOTE : (1) Figures for [2t, 2.5t model] . For [3t model] +45mm
 (2) Figures for [2t, 2.5t model] . For [3t model] +230mm
 For height without backrest: [2t, 2.5t model] -385mm , [3t model] -520mm
 (3) Figures for [2t, 2.5t model] . For [3t model] -180mm
 For free lift without backrest: [2t, 2.5t model] +385mm, [3t model] +520mm
 (4) Weight for without backrest: [2t, 2.5t model] -20kg, [3t model] -30kg
 Weight for diesel model: [2t model] +120kg, [2.5t model] +120kg, [3t model] +130kg.

Wide View Full Free 3-Stage Mast VFHM

Mast Model	Rated Capacity/ 500mm load center(kg)						Max. Fork Height	Overall Mast Height		(3)Free lift with Backrest	Tilting Angle F/B	(4) Service weight(kg)								
	FHG20T3 / FHD20T3A		FHG25T3 / FHD25T3A		FHG30T3 / FHD30T3A			(1) Lowered	(2) Raised with Backrest			FHG20T3 FHG20C3			FHG25T3 FHG25C3			FHG30T3 FHG30C3		
	PNEUMATIC	UNIQUE/SE	PNEUMATIC	UNIQUE/SE	PNEUMATIC	UNIQUE/SE						mm	mm	mm	deg	S	DD	SDD	S	DD
VFHM360	2000	2000	2500	2500	3000	3000	3600	1780	4630	780	6-6 *6-10	3385	3490	3505	3735	3840	3855	4405	4440	4555
VFHM400	2000	2000	2500	2500	3000	3000	4000	1905	5030	905	6-6 *6-10	3415	3520	3535	3765	3870	3885	4435	4470	4585
VFHM435	1900 *2000	1900 *2000	2200 *2400	2200 *2400	2900 *3000	2900 *3000	4350	2030	5380	1030	6-6 *6-10	3445	3550	3565	3795	3900	3915	4470	4505	4620
VFHM480	1700 *1900	1800 *1900	2200 *2300	2200 *2300	2800 *2900	2800 *2900	4800	2180	5830	1180	6-6 *6-10	3475	3580	3595	3825	3930	3945	4505	4540	4655
VFHM500	1500 *1800	1750 *1800	1600 *2250	1600 *2250	2600 *2750	2750	5000	2280	6030	1280	6-6 *6-10	3500	3605	3620	3850	3955	3970	4530	4565	4680
VFHM540	1200 *1750	1650 *1750	1300 *2150	1300 *2150	1900 *2650	1900 *2650	5400	2405	6430	1405	3-6 *3-6	3530	3635	3650	3880	3985	4000	4565	4600	4715
VFHM600	900 *1650	1100 *1650	950 *1800	1100 *1800	1400 *2100	1400 *2100	6000	2630	7030	1630	3-6 *3-6	3625	3730	3745	3975	4080	4095	4660	4695	4810
VFHM650	*1500	*1500	*1850	*1550	*1700	*1700	6500	2845	7530	1845	*3-3	---	3785	3800	---	4135	4150	---	4760	4875
VFHM700	*1250	*1250	*1250	*1250	*1350	*1350	7000	3065	8030	2065	*3-3	---	3840	3855	---	4190	4205	---	4815	4930

NOTE : (1) Figures for [2t, 2.5t model] . For [3t model] +45mm
 (2) Figures for [2t, 2.5t model] . For [3t model] +230mm
 For height without backrest: [2t, 2.5t model] -455mm, [3t model] -580mm
 (3) Figures for [2t, 2.5t model] . For [3t model] -180mm
 For free lift without backrest: [2t, 2.5t model] +455mm, [3t model] +580mm
 (4) Weight for without backrest: [2t, 2.5t model] -20kg, [3t model] -30kg
 Weight for diesel model: [2t model] +120kg, [2.5t model] +120kg, [3t model] +130kg.

Wide View Mast

Wide View Full Free 2-Stage Mast VFW (4CYLINDER)

Mast Model	Rated Capacity/ 500mm load center(kg)						Max. Fork Height	Overall Mast Height		(3)Free lift with Backrest	Tilting Angle F/B	(4) Service weight(kg)								
	FHG20T3 / FHD20T3A		FHG25T3 / FHD25T3A		FHG30T3 / FHD30T3A			(1) Lowered	(2) Raised with Backrest			FHG20T3 FHG20C3			FHG25T3 FHG25C3			FHG30T3 FHG30C3		
	PNEUMATIC	UNIQUE/SE	PNEUMATIC	UNIQUE/SE	PNEUMATIC	UNIQUE/SE						mm	mm	mm	deg	S	DD	SDD	S	DD
VFW300	1900	1900	2400	2400	2900	2900	3000	2045	4030	1045	6-12	3300	3405	3525	3650	3755	3875	4320	4355	4505
VFW330	1900	1900	2400	2400	2900	2900	3300	2195	4330	1195	6-12	3330	3435	3555	3680	3785	3905	4345	4380	4530
VFW350	1900	1900	2400	2400	2900	2900	3500	2295	4530	1295	6-12	3345	3450	3570	3695	3800	3920	4365	4400	4550
VFW375	1800 *1900	1800 *1900	2350	2350	2900	2900	3750	2420	4780	1420	6-6 6-12	3370	3475	3595	3720	3825	3945	4385	4420	4570
VFW400	1800 *1900	1800 *1900	2300	2300	2900	2900	4000	2595	5030	1595	6-6 6-12	3430	3535	3655	3780	3885	4005	4450	4485	4635

NOTE : (1) Figures for [2t, 2.5t model] . For [3t model] +80mm
 (2) Figures for [2t, 2.5t model] . For [3t model] +230mm
 For height without backrest: [2t, 2.5t model] -455mm, [3t model] -580mm
 (3) Figures for [2t, 2.5t model] . For [3t model] -145mm
 For free lift without backrest: [2t, 2.5t model] +455mm, [3t model] +580mm
 (4) Weight for without backrest: [2t, 2.5t model] -20kg, [3t model] -30kg
 Weight for diesel model: [2t model] +120kg, [2.5t model] +120kg, [3t model] +130kg.

Wide View Mast

Wide View Mast VM

Mast Model	Rated Capacity / 500mm load center(kg)		Max. Fork Height	Overall Mast Height		Tilting Angle F/B	(1) Service weight(kg)	
	FG/D35T3S			Lowerd	Raised with Backrest		FG35T3S	
	PNEUMATIC	UNIQUE(SE)					mm	mm
VM250	3500	3500	2500	1885	3760	6-10	4770	4785
VM270	3500	3500	2700	1985	3960	6-10	4790	4805
VM300	3500	3500	3000	2135	4260	6-12	4820	4835
VM330	3500	3500	3300	2285	4560	6-12	4850	4865
VM350	3500	3500	3500	2385	4760	6-12	4870	4885
VM375	3500	3500	3750	2510	5010	6-6 *6-12	4890	4905
VM400	3500	3500	4000	2685	5260	6-6 *6-12	4960	4975
VM425	3500	3500	4250	2810	5510	6-6 *6-12	4985	5000
VM450	3400	3450	4500	2935	5760	6-6 *6-12	5005	5020
VM475	3400	3400	4750	3060	6010	6-6	5030	5045
VM500	3300	3350	5000	3185	6260	6-6	5055	5070
VM550	*3200	*3200	5500	3485	6760	*3-6	—	5160
VM600	*2400	*2400	6000	3735	7260	*3-6	—	5205

NOTE : (1) Weight for diesel model: +120kg (QD32)

Wide View Full Free 2-Stage Mast VFM

Mast Model	Rated Capacity / 500mm load center(kg)		Max. Fork Height	Overall Mast Height		(2)Free lift with Backrest	Tilting Angle F/B	(3) Service weight(kg)	
	FG/D35T3S			Lowerd	(1)Raised with Backrest			FG35T3S	
	PNEUMATIC	UNIQUE(SE)						mm	mm
VFM250	3500	3500	2500	1885	3760	655	6-10	4860	4875
VFM270	3500	3500	2700	1985	3960	755	6-10	4880	4895
VFM300	3500	3500	3000	2135	4260	905	6-12	4910	4925
VFM330	3500	3500	3300	2285	4560	1055	6-12	4945	4960
VFM350	3500	3500	3500	2385	4760	1155	6-12	4965	4980
VFM375	3500	3500	3750	2510	5010	1280	6-6 *6-12	4995	5010
VFM400	3500	3500	4000	2685	5260	1455	6-6 *6-12	5065	5080
VFM425	3500	3500	4250	2810	5510	1580	6-6 *6-12	5095	5110
VFM450	3400	3400	4500	2935	5760	1705	6-6 *6-12	5120	5135
VFM475	3300	3300	4750	3060	6010	1830	6-6	5145	5160
VFM500	3200	3250	5000	3185	6260	1955	6-6	5175	5190
VFM550	*3000	*3000	5500	3485	6760	2255	*3-6	—	5285
VFM600	*2400	*2400	6000	3735	7260	2505	*3-6	—	5340

NOTE : (1) For height without backrest: -445mm
 (2) For free lift without backrest: +445mm
 (3) Weight for without backrest: -30kg
 Weight for diesel model: +120kg (QD32)

Wide View Full Free 3-Stage Mast VFHM

Mast Model	Rated Capacity / 500mm load center(kg)		Max. Fork Height	Overall Mast Height		(2)Free lift with Backrest	Tilting Angle F/B	(3) Service weight(kg)	
	FG/D35T3S			Lowerd	(1)Raised with Backrest			FG35T3S	
	PNEUMATIC	UNIQUE(SE)						mm	mm
VFHM360	3500	3500	3600	1885	4860	655	6-6 *6-10	4975	4990
VFHM400	3500	3500	4000	2010	5260	780	6-6 *6-10	5010	5025
VFHM435	3500	3500	4350	2135	5610	905	6-6 *6-10	5040	5055
VFHM480	3400	3400	4800	2285	6060	1055	6-6 *6-10	5080	5095
VFHM500	3300	3300	5000	2385	6260	1155	6-6 *6-10	5110	5125
VFHM540	2600 *3200	2700 *3200	5400	2510	6660	1280	3-6 *3-6	5140	5155
VFHM600	1600 *2400	2000 *2400	6000	2735	7260	1505	3-6 *3-6	5250	5265
VFHM650	*2000	*2000	6500	2950	7760	1720	*3-3	—	5330
VFHM700	*1600	*1600	7000	3170	8260	1940	*3-3	—	5390

NOTE : (1) For height without backrest: -530mm
 (2) For free lift without backrest: +530mm
 (3) Weight for without backrest: -30kg
 Weight for diesel model: +120kg (QD32)

NOTE :

Rated capacity with (*): Shows capacity with front dual tires.
 Lifting speed with VFM/VFHM mast: with VFM 330mm/s with load, 410mm/s without load.
 with VFHM 450mm/s with load, 470mm/s without load.
 Lowering speed with VFM/VFHM mast: 440mm/s with load, 380mm/s without load.
 Overall vehicle length with VFHM mast: +15mm longer than of standard model with VM/VFM mast.

STANDARD EQUIPMENT AND ACCESSORIES

[Equipment]

- Adjustable ORS seat with belt
- Asbestos-free brake shoe materials
- Cylinder type bonnet latch with locking function
- Donaldson dry type cyclocap air-cleaner
- Drawbar device
- Durable overhead guard with resin screen
- Engine auto glow system (Diesel)
- Engine idle-up device(Gasoline)
- Flow control valve
- Fuel water sedimenter (Diesel)
- Full hydrostatic power steering
- Full transistorized ignition (Gasoline)
- Hydraulic oil dipstick
- Interlock system¹⁾
- ITA class III carriage
- J-lug pneumatic industrial tires
- Lift circuit cut-off valve
- Lift backrest
- Radiator coolant reservoir
- Return hydraulic filter
- Suction hydraulic strainer
- Tilt lock valve
- Transmission oil dipstick (power shift T/M)
- Transmission oil filter (power shift T/M)
- Wide view two stage mast(VM300)
- 1070mm forks
- 2-spool control valve with pressure relief

[Controls]

- Electric shift control lever (direction change)
- Lift and tilt levers
- Multi-function switch lever with self-cancelling mechanism (Lighting & turn-signal)
- Parking brake lever with inter-lock
- Tilt adjustable steering post
- Neutral safety mechanism

[Accessories]

- Access-assisted hand grip
- Back-up buzzer
- Back-up lights
- Deluxe floor mat
- Detachable and portable glove box
- Electric horn
- Front combination lights (turn signal, clearance)
- Head lights - trafic purpose
- High-mounted rear combination lights
- Operator tool kit
- Pen/ Cup holder
- Side view mirrors

[Instruments and Switch]

- Charge indicator
- Engine oil pressure warning indicator
- Fuel gauge
- Glow indicator (Diesel)
- Hourmeter
- Ignition key engine stop (Diesel)
- Neutral safety switch
- Fuel water sedimenter indicator (Diesel)
- Water temperature gauge

NOTE :

Meets following major standards and code:
 ISO 1074 Counter Balanced Lift Trucks, Stability & Safety Test (Int'l)
 ISO 3691 Powered industrial trucks - safety code
 JIS D6001 Industrial Lift Trucks (Japan)
 JIS D6011 Stability & Safety Test (Japan)
 Overhead guard meets ISO 6055, JIS 6021
 In conformity with provision of the Machinery Directive 98/37/EC, as amended, and with National implementing legislation: (European and Scandinavian export trucks)
 Specifications are subject to change without notice and its may vary depending on markets. Please consult your TCM representative for details.

OPTIONAL LOADING ATTACHMENT

- Alternative fork lengths
- Alternative lengths fork extension sleeve
- Bale clamp (LG)
- Carton clamp(2-3t) (CLG)
- Crane arm (CA)
- Drum clamp(2-3t) (DLG)
- Fork clamp(2-3t) (FLG)
- Fork positioner hydraulic type(Hook-on/ Integral)(FS)
- Fork positioner manual type
- High, wide type load backrest
- Hinged forks/ scoop (HFS)
- Load push-pull(2-3t) (PPC)
- Load stabilizer(2-3t) (STA)
- Ram attachment (RA)
- Rotating forks (Hook-on/ Integral type) (RF)
- Rotating paper roll clamp (Hook-on/ Integral type)(PR)
- Side-shifter(Hook-on/ Integral) (SS)
- Sleeve-in hook
- Wide type fork carriage
- Wide view full free 2-stage (VFM) mast
- Wide view full free 3-stage (VFHM) mast
- Wide view full free 2-stage 4cyl (VFW) mast(2-3t)
- Wide view full free 3-stage 4cyl (VFHW) mast(2-3t)

OPTIONAL EQUIPMENT AND ACCESSORIES

[Equipment]

- Auxiliary hydraulic valve modules(max. 5spool)
- Cabin - panel type(SCBPA)
- Central greasing system (CL)
- Color tire (white, green)
- Dual element aircleaner(ADE)
- Exhaust purify catalytic muffler(EPM)(Diesel)
- Fingertip hydraulic valve control (FIT)
- Fishery industry package (FC)(2-3t)
- Front dual drive wheels(DD/ SDD)
- Full open cabine(AW 061)
- Heater(HR)
- Heater & defroster (DEF)
- High capacity radiator - High power model(RAD PF2)
- Interlock system¹⁾ (SIL)
- Lift lock mechanism (VLL)
- Load sensing valve (VLS)
- LPG exclusive/ Dual fuel(LPG - Gasoline) package
- Non-slip differential(power shift T/M)
- Oil clutch(manual T/M)
- Overhead exhaust system(TUE)
- Overhead guard/ High profile
- Overhead guard/ Low profile
- Plate fin type radiator(RAD PF)
- Power clutch(manual T/M)
- Pre-cleaner engine air intake(CAK B)(Gasoline)
- Radiator dust screen (fine, medium mesh)
- Smoke reduction/spark arrester muffler (Diesel)
- Steel cabin - enclosed type(SCB 001)
- Synchronised steering mechanism(SRS)
- Unique cushion tires(SE)
- Windshield wiper

[Accessories]

- Custom paint-work
- Fire extinguisher(FE)
- Rear working light(RWL)
- Rotating warning light(RLY/RLR)
- Tilt cylinder boots(TLB)

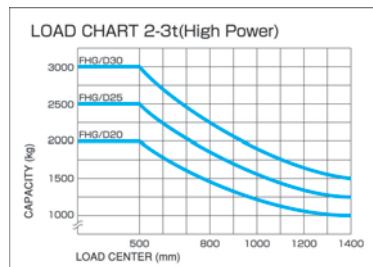
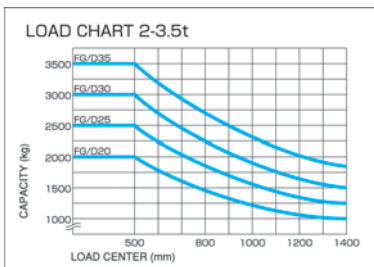
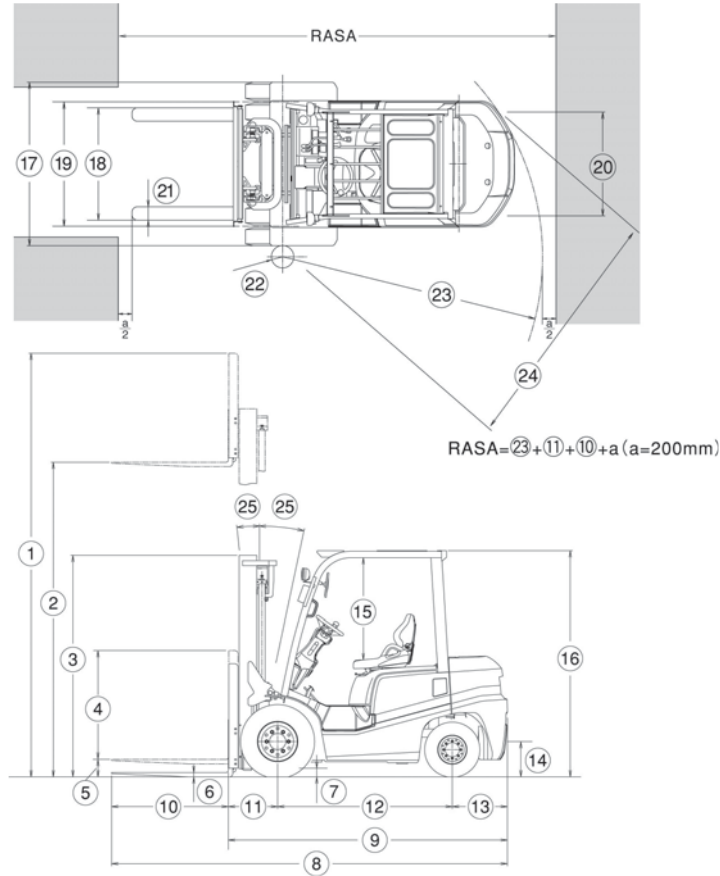
[Instruments and Switch]

- Ammeter (AM)
- O.K. monitor (fuel level, battery electrolyte level, coolant level, parking brake, air-cleaner, seat-belt)
- Speedometer (SM)
- Torque converter oil pressure gauge (TPM)
- Torque converter oil temperature gauge (power shift T/M)

Others on request

NOTE : 1) STD for EXE/EXN specification

GROUND CLEARANCE	FD / FG20-25	FD / FG30	FD/FG35T3S
	FHD / FHG20-25	FHD / FHG30	mm
	mm	mm	mm
Mast	110	140	145
Frame	120	145	190
Front axle	125	145	165
Rear axle	150	175	185
Counter weight	155	185	225



STANDARD DIMENSIONS

STANDARD DIMENSIONS

Model	FD / FG20	FD / FG25	FD / FG30	FD/FG35T3S
	FHD / FHG20	FHD / FHG25	FHD / FHG30	mm
	mm	mm	mm	mm
① Overall height, fork raised(with backrest)	4030	4030	4260	4255
② Maximum fork height	3000	3000	3000	3000
③ Mast height, fork lowered	2030	2030	2075	2135
④ Backrest height	1000	1000	1220	1220
⑤ Free lift	110	110	165	170
⑥ Fork thickness	40	40	45	50
⑦ Ground clearance(front axle)	125	125	145	145/165
⑧ Overall length(with forks)	3555	3625	3775	3870
⑨ Length to fork face	2485	2555	2705	2800
⑩ Fork length	1070	1070	1070	1070
⑪ Load distance(centerline of front axle to front face of forks)	450	450	480	495
⑫ Wheelbase	1600	1600	1700	1700
⑬ Rear overhang	435	505	525	605
⑭ Drawbar Pin Center Height	530	530	560	610
⑮ Overhead guard clearance(from face of seat)**	1005	1005	1005	1005
⑯ Overall height(overhead guard)**	2070	2070	2090	2140
⑰ Overall width	1150	1150	1225	1290
⑱ Fork spread(outside)	245 - 1020	245 - 1020	250 - 1090	300 - 1090
⑲ Tread (front)	970	970	1000	1060
⑳ Tread (rear)	970	970	970	970
㉑ Fork width	122	122	125	150
㉒ Inside turning radius	160	160	200	200
㉓ Outside turning radius	2170	2240	2400	2470
㉔ Minimum intersecting aisle	2210	2330	2330	2390/2380
㉕ Tilt angles(forward-backward)	6° - 12°	6° - 12°	6° - 12°	6° - 12

NOTE : **Oceania(EXC), European(EXE) and Scandinavian export trucks(EXN): +60mm

DIMENSIONS WITH FRONT DUAL DRIVE WHEELS (option)

Model	FD / FG20	FD / FG25	FD / FG30	FD/FG35T3S
	FHD / FHG20	FHD / FHG25	FHD / FHG30	mm
	mm	mm	mm	mm
Tire size (front dual Type: DD)	4 x 5.50-15-8PR(I)		4 x 6.00-15-10PR(I)	
⑰ Overall width	1480	1480	1520	1600
⑲ Tread (front)	1130	1130	1170	1230
㉒ Inside turning radius	100	100	100	100
㉓ Outside turning radius	2240	2310	2430	2540
㉔ Minimum intersecting aisle	2320	2340	2445	2500

Tire size (front dual Type: SDD)	4 x 7.00 -12-12PR(I)		4 x 28 x 9-15-12PR(I)
	mm	mm	mm
⑰ Overall width	1590	1590	1750
⑲ Tread (front)	1190	1190	1260
㉒ Inside turning radius	100	100	100
㉓ Outside turning radius	2280	2350	2500
㉔ Minimum intersecting aisle	2370	2380	2490

INOMA

TCM retains the right to change these products and specifications without incurring any obligation relating to such changes.
These products and specifications are subject to change without notice.
Photos and illustrations may or may not include optional equipment and accessories.
Features and specifications may vary depending on markets.
Performance data and dimensions are nominal and subject to tolerances.



ISO 9001 Certification
(TCM Shiga Plant)



ISO 14001 Certification
(TCM Shiga Plant)

Manufactured by

TCM

TCM CORPORATION

1-15-10, Kyomachi-bori, Nishi-ku,
Osaka, 550-0003, Japan
TEL : +81-6-7669-8906
FAX : +81-6-7669-8916
www.tcmglobal.net

Distributed by