



Platform

- 0.76 m x 1.83 m low mount platform
- Side entry with drop bar mid rail
- Multiple function operation
- Full proportional drive joystick control with integral thumb steer switch
- Full proportional main boom and swing joystick control
- Multiple speed control for lower boom, telescope, jib and platform rotate
- Selectable creep speed on drive / lift and swing functions
- 1.22 m articulating jib
- 180 degree powered platform rotator
- Platform console machine status light panel ¹
- Load sensing system
- AC power cable to platform

Power & Transmission

- Two Wheel Direct Electric Drive
- 8 x 6V 415 A/hr deep cycle batteries
- On-Board diesel powered quick charge gen set
- Automatic traction control
- Programmable “Personality” settings
- On-board self-diagnostic testing
- Enclosed battery / electrical compartment
- 23 amp automatic battery charger
- Automatic rear wheel brakes
- Sculptured ABS hoods

Functional Equipment & Accessories

- 4 degree tilt alarm and indicator light
- 36/14LL - 22.5 non marking pneumatic tyres
- Oscillating front axle
- Lifting/tie down lugs
- Ground control selector switch with key lock
- Battery condition indicator
- Hour meter
- Horn
- Platform tool tray
- Manual descent system

Available Options

- 0.76 m x 1.22 m low mount platform
- Side entry with inward swing gate
- 13 mm air line to platform
- All wheel assist
- 36/14LL - 22.5 non marking foam filled tyres
- All motion alarm
- Alarm package ²
- Platform worklights
- Head and tail lights
- Light package ³
- Amber strobe light
- Plugs & Sockets
- Acrylic console shield
- Cylinder bellows
- Soft Touch proximity system
- Corner storage tray



¹ Provides indicator lights at platform control console for system distress, low battery, tilt light, and foot switch status.

² Includes all-motion alarm and amber strobe light.

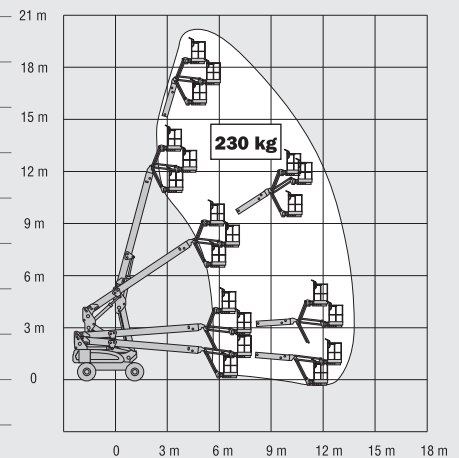
³ Includes head & tail lights and platform work lights.

M600J TELESCOPIC BOOM LIFTS



mainline
PLANT • ACCESS • TRAINING • POWER

Platform Height	18.36 m
Horizontal Outreach	13.19 m
Swing (non-continuous)	400°
Platform Capacity – Unrestricted	230 kg
Platform Rotator (Hydraulic)	180°
Jib – Overall Length	1.24 m
Jib - Range of articulation	145° Vertical (+75°/-70°)
A. Platform Size	0.76 m x 1.83 m
B. Overall Width	2.42 m
C. Tailswing (working condition)	1.23 m
D. Stowed Height	2.54 m
E. Stowed Length	9.37 m
F. Wheelbase	2.74 m
G. Ground Clearance	0.30 m
Maximum Ground Bearing Pressure	3.7 kg/cm ²
Machine weight ¹	7,300 kg
Drive Speed	4.8 km/h
Gradeability	30%
Tyres (pneumatic/non-marking)	36/14LL-22.5
Axle Oscillation	0.20 m
Turning Radius – Inside	1.22 m
Turning Radius – Outside	4.64 m
Electrical System	48V DC
Batteries	8 x 6V 415 A/hr
Drive Motors	Dual Electric Traction Applied
Brakes	Automatic Spring
Hydraulic Pump Motor	Perm. Magnet
Hydraulic Pump	Gear Pump
Hydraulic System	80 L
Generator Set – Fully Automatic	Kubota OC60 Air-cooled 5 kW
Generator Fuel Tank	50 L

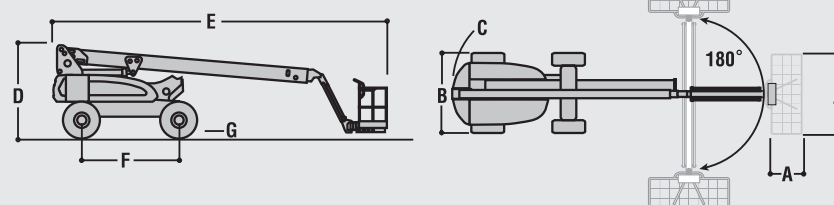


JLG Industries, Inc. is a leading designer and manufacturer of access equipment and complementary services and attachments.

JLG has manufacturing facilities in the United States, France, Romania, China and Belgium. Customers throughout Europe, Scandinavia, Africa and the Middle East benefit from a network of dedicated sales and service operations designed to deliver the highest levels of support.

JLG is an Oshkosh Corporation company.

www.jlgeurope.com



¹ Certain options or country standards may increase weight and/or dimensions.