

# AWP1000

## Mobile Vertical Lifts



	AWP 8-1000	AWP 10-1000	AWP 12-1000	AWP 14-1000
S.W.L	150kg	150kg	150kg	136kg
Max.Occupants	1	1	1	1
<b>H<sub>1</sub></b> Max.Working Height	8.00m	10.00m	12.00m	14.00m
<b>H<sub>2</sub></b> Max.Platform Height	6.00m	8.00m	10.00m	12.00m
<b>A</b> Overall Length(Stowed)	1.37m	1.37m	1.43m	1.46m
Overall Length(Tilted Back)	/	/	/	3.13m
<b>B</b> Overall Width	0.75m	0.75m	0.75m	0.75m
<b>H<sub>3</sub></b> Overall Height(Stowed)	1.97m	1.97m	1.97m	2.75m
Overall Height(Tilted Back)	/	/	/	1.98m
Outrigger Footprint( <b>L</b> / <b>W</b> )	1.75/1.55m	1.75/1.55m	1.75/1.55m	2.26/2.06m
Platform Size(Length/Width) <b>C</b>	0.69m × 0.66m	0.69m × 0.66m	0.69m × 0.66m	0.69m × 0.66m
Ground Clearance	0.05m	0.05m	0.05m	0.05m
Lifting Motor(AC)	110/230VAC/1.5kW	110/230VAC/1.5kW	110/230VAC/1.5kW	110/230VAC/1.5kW
Lifting Motor(DC)	12VDC/1.5kW	12VDC/1.5kW	12VDC/1.5kW	12VDC/1.5kW
Up/Down Speed	38/34sec	36/30sec	44/36sec	62/47sec
Batteries	12V/85Ah	12V/85Ah	12V/85Ah	12V/85Ah
Integrated Charger	12V/15A	12V/15A	12V/15A	12V/15A
Tyres(Back Wheels)	8in	8in	8in	8in
Tyres(Front Wheels)	5in	5in	5in	5in
Weight(AC)	328kg	376kg	394kg	492kg
Weight(DC)	358kg	406kg	424kg	522kg



Emergency Lowering System



Outriggers With Interlock



Ground Control With  
Outrigger LEDs



Adjustable Pickup Rail



Lockable Castor



Tilt Back Frame

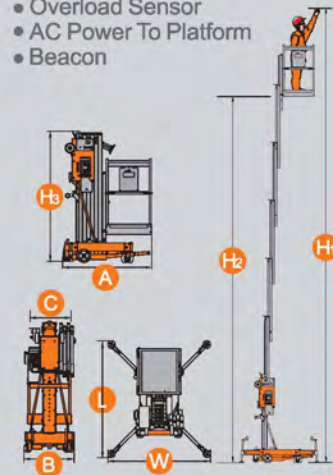


### Standard Equipment

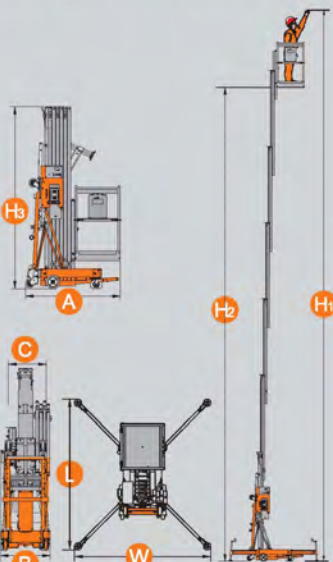
- Outriggers With Interlock
- Emergency Stop Button
- Easy Loading In Pickup Trucks
- Two Controllers Operation
- Emergency Lowering System
- Leveling Indicator
- Forklift Pockets
- Transport Tie Hole
- Tilt Back Frame(Only For AWP14-1000)
- Function With Deadman
- All Motion Alarm
- Cylinder Holding Valve

### Options

- Overload Sensor
- AC Power To Platform
- Beacon



AWP8-1000/AWP10-1000/AWP12-1000



AWP14-1000